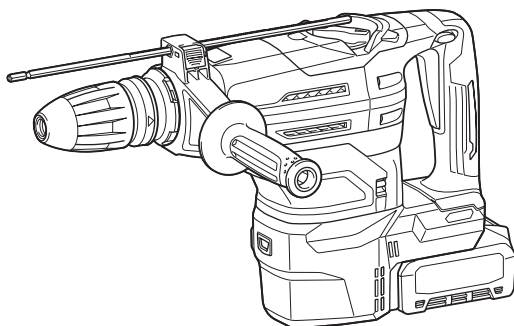


INSTRUCTION MANUAL
MANUEL D'INSTRUCTION
MANUAL DE INSTRUCCIONES



Cordless Rotary Hammer Perforateur Sans Fil Martillo Rotativo Inalámbrico

HR005G



IMPORTANT: Read Before Using.

IMPORTANT : Lire avant usage.

IMPORTANTE: Lea antes de usar.

SPECIFICATIONS

Model:		HR005G
Capacities	Carbide-tipped bit	40 mm (1-9/16")
	Core bit	105 mm (4-1/18")
No load speed (RPM)		250 - 500/min
Blows per minute		1,450 - 2,900/min
Overall length	with BL4025	484 mm (19")
	with BL4040	500 mm (19-3/4")
Rated voltage		D.C. 36 V - 40 V max
Net weight		7.4 - 8.2 kg (16.3 - 18.1 lbs)

- Due to our continuing program of research and development, the specifications herein are subject to change without notice.
- Specifications and battery cartridge may differ from country to country.
- The weight may differ depending on the attachment(s), including the battery cartridge. The lightest and heaviest combinations, according to EPTA-Procedure 01/2014, are shown in the table.

Applicable battery cartridge and charger

Battery cartridge	BL4020 / BL4025 / BL4040* / BL4050F* *: Recommended battery
Charger	DC40RA / DC40RB / DC40RC

- Some of the battery cartridges and chargers listed above may not be available depending on your region of residence.

⚠WARNING: Only use the battery cartridges and chargers listed above. Use of any other battery cartridges and chargers may cause injury and/or fire.

Recommended cord connected power source

Portable power pack	PDC01 / PDC1200
---------------------	-----------------

- The cord connected power source(s) listed above may not be available depending on your region of residence.
- Before using the cord connected power source, read instruction and cautionary markings on them.

SAFETY WARNINGS

General power tool safety warnings

⚠WARNING: Read all safety warnings, instructions, illustrations and specifications provided with this power tool. Failure to follow all instructions listed below may result in electric shock, fire and/or serious injury.

Save all warnings and instructions for future reference.

The term "power tool" in the warnings refers to your mains-operated (corded) power tool or battery-operated (cordless) power tool.

Work area safety

1. **Keep work area clean and well lit.** Cluttered or dark areas invite accidents.

2. **Do not operate power tools in explosive atmospheres, such as in the presence of flammable liquids, gases or dust.** Power tools create sparks which may ignite the dust or fumes.
3. **Keep children and bystanders away while operating a power tool.** Distractions can cause you to lose control.

Electrical Safety

1. **Power tool plugs must match the outlet. Never modify the plug in any way. Do not use any adapter plugs with earthed (grounded) power tools.** Unmodified plugs and matching outlets will reduce risk of electric shock.
2. **Avoid body contact with earthed or grounded surfaces, such as pipes, radiators, ranges and refrigerators.** There is an increased risk of electric shock if your body is earthed or grounded.
3. **Do not expose power tools to rain or wet conditions.** Water entering a power tool will increase the risk of electric shock.

4. **Do not abuse the cord. Never use the cord for carrying, pulling or unplugging the power tool. Keep cord away from heat, oil, sharp edges or moving parts.** Damaged or entangled cords increase the risk of electric shock.
5. **When operating a power tool outdoors, use an extension cord suitable for outdoor use.** Use of a cord suitable for outdoor use reduces the risk of electric shock.
6. **If operating a power tool in a damp location is unavoidable, use a ground fault circuit interrupter (GFCI) protected supply.** Use of a GFCI reduces the risk of electric shock.
7. **Power tools can produce electromagnetic fields (EMF) that are not harmful to the user.** However, users of pacemakers and other similar medical devices should contact the maker of their device and/or doctor for advice before operating this power tool.

Personal Safety

1. **Stay alert, watch what you are doing and use common sense when operating a power tool. Do not use a power tool while you are tired or under the influence of drugs, alcohol or medication.** A moment of inattention while operating power tools may result in serious personal injury.
2. **Use personal protective equipment. Always wear eye protection.** Protective equipment such as dust mask, non-skid safety shoes, hard hat, or hearing protection used for appropriate conditions will reduce personal injuries.
3. **Prevent unintentional starting. Ensure the switch is in the off-position before connecting to power source and/or battery pack, picking up or carrying the tool.** Carrying power tools with your finger on the switch or energising power tools that have the switch on invites accidents.
4. **Remove any adjusting key or wrench before turning the power tool on.** A wrench or a key left attached to a rotating part of the power tool may result in personal injury.
5. **Do not overreach. Keep proper footing and balance at all times.** This enables better control of the power tool in unexpected situations.
6. **Dress properly. Do not wear loose clothing or jewellery. Keep your hair, clothing and gloves away from moving parts.** Loose clothes, jewellery or long hair can be caught in moving parts.
7. **If devices are provided for the connection of dust extraction and collection facilities, ensure these are connected and properly used.** Use of dust collection can reduce dust-related hazards.
8. **Do not let familiarity gained from frequent use of tools allow you to become complacent and ignore tool safety principles.** A careless action can cause severe injury within a fraction of a second.
9. **Always wear protective goggles to protect your eyes from injury when using power tools. The goggles must comply with ANSI Z87.1 in the USA.**

It is an employer's responsibility to enforce the use of appropriate safety protective equipment by the tool operators and by other persons in the immediate working area.

Power tool use and care

1. **Do not force the power tool. Use the correct power tool for your application.** The correct power tool will do the job better and safer at the rate for which it was designed.
2. **Do not use the power tool if the switch does not turn it on and off.** Any power tool that cannot be controlled with the switch is dangerous and must be repaired.
3. **Disconnect the plug from the power source and/or remove the battery pack, if detachable, from the power tool before making any adjustments, changing accessories, or storing power tools.** Such preventive safety measures reduce the risk of starting the power tool accidentally.
4. **Store idle power tools out of the reach of children and do not allow persons unfamiliar with the power tool or these instructions to operate the power tool.** Power tools are dangerous in the hands of untrained users.
5. **Maintain power tools and accessories. Check for misalignment or binding of moving parts, breakage of parts and any other condition that may affect the power tool's operation. If damaged, have the power tool repaired before use.** Many accidents are caused by poorly maintained power tools.
6. **Keep cutting tools sharp and clean.** Properly maintained cutting tools with sharp cutting edges are less likely to bind and are easier to control.
7. **Use the power tool, accessories and tool bits etc. in accordance with these instructions, taking into account the working conditions and the work to be performed.** Use of the power tool for operations different from those intended could result in a hazardous situation.
8. **Keep handles and grasping surfaces dry, clean and free from oil and grease.** Slippery handles and grasping surfaces do not allow for safe handling and control of the tool in unexpected situations.
9. **When using the tool, do not wear cloth work gloves which may be entangled.** The entanglement of cloth work gloves in the moving parts may result in personal injury.

Battery tool use and care

1. **Recharge only with the charger specified by the manufacturer.** A charger that is suitable for one type of battery pack may create a risk of fire when used with another battery pack.
2. **Use power tools only with specifically designated battery packs.** Use of any other battery packs may create a risk of injury and fire.
3. **When battery pack is not in use, keep it away from other metal objects, like paper clips, coins, keys, nails, screws or other small metal objects, that can make a connection from one terminal to another.** Shorting the battery terminals together may cause burns or a fire.
4. **Under abusive conditions, liquid may be ejected from the battery; avoid contact. If contact accidentally occurs, flush with water. If liquid contacts eyes, additionally seek medical help.** Liquid ejected from the battery may cause irritation or burns.

5. **Do not use a battery pack or tool that is damaged or modified.** Damaged or modified batteries may exhibit unpredictable behaviour resulting in fire, explosion or risk of injury.
6. **Do not expose a battery pack or tool to fire or excessive temperature.** Exposure to fire or temperature above 130 °C may cause explosion.
7. **Follow all charging instructions and do not charge the battery pack or tool outside the temperature range specified in the instructions.** Charging improperly or at temperatures outside the specified range may damage the battery and increase the risk of fire.
11. **Do not leave the tool running. Operate the tool only when hand-held.**
12. **Do not point the tool at any one in the area when operating.** The bit could fly out and injure someone seriously.
13. **Do not touch the bit, parts close to the bit, or workpiece immediately after operation; they may be extremely hot and could burn your skin.**
14. **Some material contains chemicals which may be toxic. Take caution to prevent dust inhalation and skin contact. Follow material supplier safety data.**

Service

1. **Have your power tool serviced by a qualified repair person using only identical replacement parts.** This will ensure that the safety of the power tool is maintained.
2. **Never service damaged battery packs.** Service of battery packs should only be performed by the manufacturer or authorized service providers.
3. **Follow instruction for lubricating and changing accessories.**
4. **Do not modify or attempt to repair the appliance or the battery pack except as indicated in the instructions for use and care.**

CORDLESS ROTARY HAMMER SAFETY WARNINGS

1. **Wear ear protectors.** Exposure to noise can cause hearing loss.
2. **Use auxiliary handle(s), if supplied with the tool.** Loss of control can cause personal injury.
3. **Hold power tool by insulated gripping surfaces, when performing an operation where the cutting accessory may contact hidden wiring.** Cutting accessory contacting a "live" wire may make exposed metal parts of the power tool "live" and could give the operator an electric shock.
4. **Wear a hard hat (safety helmet), safety glasses and/or face shield. Ordinary eye or sun glasses are NOT safety glasses. It is also highly recommended that you wear a dust mask and thickly padded gloves.**
5. **Be sure the bit is secured in place before operation.**
6. **Under normal operation, the tool is designed to produce vibration. The screws can come loose easily, causing a breakdown or accident. Check tightness of screws carefully before operation.**
7. **In cold weather or when the tool has not been used for a long time, let the tool warm up for a while by operating it under no load. This will loosen up the lubrication. Without proper warm-up, hammering operation is difficult.**
8. **Always be sure you have a firm footing. Be sure no one is below when using the tool in high locations.**
9. **Hold the tool firmly with both hands.**
10. **Keep hands away from moving parts.**


15. **Always be sure that the tool is switched off and the battery cartridge and the bit are removed before handing the tool to other person.**
16. **Before operation, make sure that there is no buried object such as electric pipe, water pipe or gas pipe in the working area.** Otherwise, the drill bit/chisel may touch them, resulting an electric shock, electrical leakage or gas leak.
17. **Do not operate the tool at no-load unnecessarily.**

SAVE THESE INSTRUCTIONS.

⚠ WARNING: DO NOT let comfort or familiarity with product (gained from repeated use) replace strict adherence to safety rules for the subject product. **MISUSE** or failure to follow the safety rules stated in this instruction manual may cause serious personal injury.

Symbols

The followings show the symbols used for tool.

v	volts
— — —	direct current
n ₀	no load speed
... /min r /min	revolutions or reciprocation per minute
	number of blow

Important safety instructions for battery cartridge

1. **Before using battery cartridge, read all instructions and cautionary markings on (1) battery charger, (2) battery, and (3) product using battery.**
2. **Do not disassemble or tamper the battery cartridge.** It may result in a fire, excessive heat, or explosion.
3. **If operating time has become excessively shorter, stop operating immediately. It may result in a risk of overheating, possible burns and even an explosion.**

4. If electrolyte gets into your eyes, rinse them out with clear water and seek medical attention right away. It may result in loss of your eyesight.
5. Do not short the battery cartridge:
 - (1) Do not touch the terminals with any conductive material.
 - (2) Avoid storing battery cartridge in a container with other metal objects such as nails, coins, etc.
 - (3) Do not expose battery cartridge to water or rain.

A battery short can cause a large current flow, overheating, possible burns and even a breakdown.

6. Do not store and use the tool and battery cartridge in locations where the temperature may reach or exceed 50 °C (122 °F).
7. Do not incinerate the battery cartridge even if it is severely damaged or is completely worn out. The battery cartridge can explode in a fire.
8. Do not nail, cut, crush, throw, drop the battery cartridge, or hit against a hard object to the battery cartridge. Such conduct may result in a fire, excessive heat, or explosion.
9. Do not use a damaged battery.
10. The contained lithium-ion batteries are subject to the Dangerous Goods Legislation requirements. For commercial transports e.g. by third parties, forwarding agents, special requirement on packaging and labeling must be observed. For preparation of the item being shipped, consulting an expert for hazardous material is required. Please also observe possibly more detailed national regulations. Tape or mask off open contacts and pack up the battery in such a manner that it cannot move around in the packaging.
11. When disposing the battery cartridge, remove it from the tool and dispose of it in a safe place. Follow your local regulations relating to disposal of battery.
12. Use the batteries only with the products specified by Makita. Installing the batteries to non-compliant products may result in a fire, excessive heat, explosion, or leak of electrolyte.
13. If the tool is not used for a long period of time, the battery must be removed from the tool.
14. During and after use, the battery cartridge may take on heat which can cause burns or low temperature burns. Pay attention to the handling of hot battery cartridges.
15. Do not touch the terminal of the tool immediately after use as it may get hot enough to cause burns.
16. Do not allow chips, dust, or soil stuck into the terminals, holes, and grooves of the battery cartridge. It may result in poor performance or breakdown of the tool or battery cartridge.
17. Unless the tool supports the use near high-voltage electrical power lines, do not use the battery cartridge near a high-voltage electrical power lines. It may result in a malfunction or breakdown of the tool or battery cartridge.

18. Keep the battery away from children.

SAVE THESE INSTRUCTIONS.

CAUTION: Only use genuine Makita batteries. Use of non-genuine Makita batteries, or batteries that have been altered, may result in the battery bursting causing fires, personal injury and damage. It will also void the Makita warranty for the Makita tool and charger.

Tips for maintaining maximum battery life

1. Charge the battery cartridge before completely discharged. Always stop tool operation and charge the battery cartridge when you notice less tool power.
2. Never recharge a fully charged battery cartridge. Overcharging shortens the battery service life.
3. Charge the battery cartridge with room temperature at 10 °C - 40 °C (50 °F - 104 °F). Let a hot battery cartridge cool down before charging it.
4. When not using the battery cartridge, remove it from the tool or the charger.
5. Charge the battery cartridge if you do not use it for a long period (more than six months).

Important safety instructions for wireless unit

1. Do not disassemble or tamper with the wireless unit.
2. Keep the wireless unit away from young children. If accidentally swallowed, seek medical attention immediately.
3. Use the wireless unit only with Makita tools.
4. Do not expose the wireless unit to rain or wet conditions.
5. Do not use the wireless unit in places where the temperature exceeds 50 °C (122 °F).
6. Do not operate the wireless unit in places where medical instruments, such as heart pace makers are nearby.
7. Do not operate the wireless unit in places where automated devices are nearby. If operated, automated devices may develop malfunction or error.
8. Do not operate the wireless unit in places under high temperature or places where static electricity or electrical noise could be generated.
9. The wireless unit can produce electromagnetic fields (EMF) but they are not harmful to the user.
10. The wireless unit is an accurate instrument. Be careful not to drop or strike the wireless unit.
11. Avoid touching the terminal of the wireless unit with bare hands or metallic materials.
12. Always remove the battery on the product when installing the wireless unit into it.

13. When opening the lid of the slot, avoid the place where dust and water may come into the slot. Always keep the inlet of the slot clean.
14. Always insert the wireless unit in the correct direction.
15. Do not press the wireless activation button on the wireless unit too hard and/or press the button with an object with a sharp edge.
16. Always close the lid of the slot when operating.
17. Do not remove the wireless unit from the slot while the power is being supplied to the tool. Doing so may cause a malfunction of the wireless unit.
18. Do not remove the sticker on the wireless unit.
19. Do not put any sticker on the wireless unit.
20. Do not leave the wireless unit in a place where static electricity or electrical noise could be generated.
21. Do not leave the wireless unit in a place subject to high heat, such as a car sitting in the sun.
22. Do not leave the wireless unit in a dusty or powdery place or in a place corrosive gas could be generated.
23. Sudden change of the temperature may bedew the wireless unit. Do not use the wireless unit until the dew is completely dried.
24. When cleaning the wireless unit, gently wipe with a dry soft cloth. Do not use benzine, thinner, conductive grease or the like.
25. When storing the wireless unit, keep it in the supplied case or a static-free container.
26. Do not insert any devices other than Makita wireless unit into the slot on the tool.
27. Do not use the tool with the lid of the slot damaged. Water, dust, and dirt come into the slot may cause malfunction.
28. Do not pull and/or twist the lid of the slot more than necessary. Restore the lid if it comes off from the tool.
29. Replace the lid of the slot if it is lost or damaged.

SAVE THESE INSTRUCTIONS.

FUNCTIONAL DESCRIPTION

CAUTION: Always be sure that the tool is switched off and the battery cartridge is removed before adjusting or checking function on the tool.

Installing or removing battery cartridge

CAUTION: Always switch off the tool before installing or removing of the battery cartridge.

CAUTION: Hold the tool and the battery cartridge firmly when installing or removing battery cartridge. Failure to hold the tool and the battery cartridge firmly may cause them to slip off your hands and result in damage to the tool and battery cartridge and a personal injury.

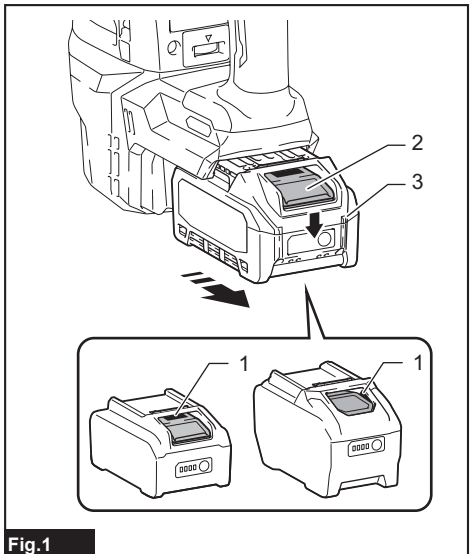


Fig.1

► 1. Red indicator 2. Button 3. Battery cartridge

To remove the battery cartridge, slide it from the tool while sliding the button on the front of the cartridge.

To install the battery cartridge, align the tongue on the battery cartridge with the groove in the housing and slip it into place. Insert it all the way until it locks in place with a little click. If you can see the red indicator as shown in the figure, it is not locked completely.

CAUTION: Always install the battery cartridge fully until the red indicator cannot be seen. If not, it may accidentally fall out of the tool, causing injury to you or someone around you.

CAUTION: Do not install the battery cartridge forcibly. If the cartridge does not slide in easily, it is not being inserted correctly.

Indicating the remaining battery capacity

Press the check button on the battery cartridge to indicate the remaining battery capacity. The indicator lamps light up for a few seconds.

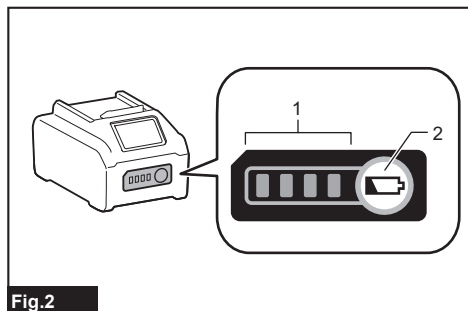


Fig.2

► 1. Indicator lamps 2. Check button

Indicator lamps			Remaining capacity
Lighted	Off	Blinking	
■ ■ ■ ■			75% to 100%
■ ■ ■ □			50% to 75%
■ ■ □ □			25% to 50%
■ □ □ □			0% to 25%
▬ □ □ □			Charge the battery.
■ ■ □ □			The battery may have malfunctioned.
□ □ ■ ■	↑ ↓		

NOTE: Depending on the conditions of use and the ambient temperature, the indication may differ slightly from the actual capacity.

NOTE: The first (far left) indicator lamp will blink when the battery protection system works.

Tool / battery protection system

The tool is equipped with a tool/battery protection system. This system automatically cuts off power to the motor to extend tool and battery life. The tool will automatically stop during operation if the tool or battery is placed under one of the following conditions:

Overload protection

When the tool or battery is operated in a manner that causes it to draw an abnormally high current, the tool automatically stops without any indication. In this situation, turn the tool off and stop the application that caused the tool to become overloaded. Then turn the tool on to restart.

Overheat protection

When the tool or battery is overheated, the tool stops automatically and the lamp blinks. In this case, let the tool and battery cool before turning the tool on again.

Overdischarge protection

When the battery capacity is not enough, the tool stops automatically. In this case, remove the battery from the tool and charge the battery.

Switch action

⚠ WARNING: Before installing the battery cartridge into the tool, always check to see that the switch trigger actuates properly and returns to the "OFF" position when released.

⚠ CAUTION: When not operating the tool, depress the trigger-lock button from A side to lock the switch trigger in the OFF position.

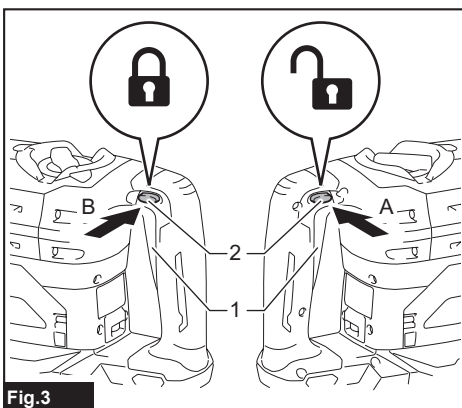


Fig.3

► 1. Switch trigger 2. Trigger-lock button

To prevent the switch trigger from accidentally pulled, the trigger-lock button is provided. To start the tool, depress the trigger-lock button from A side and pull the switch trigger. Release the switch trigger to stop. After use, press in the trigger-lock button from B side.

Speed change

The revolutions and blows per minute can be adjusted by turning the adjusting dial. The dial is marked 1 (lowest speed) to 5 (full speed).

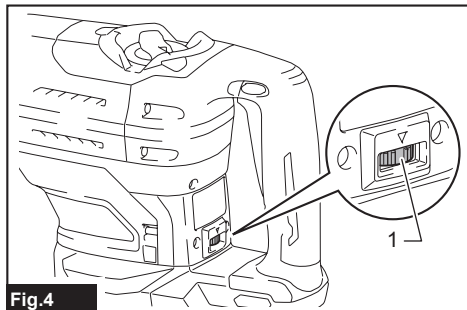


Fig.4

► 1. Adjusting dial

Refer to the table below for the relationship between the number on the adjusting dial and the revolutions and blows per minute.

Number	Revolutions per minute	Blows per minute
5	500	2900
4	470	2700
3	380	2150
2	290	1650
1	250	1450

CAUTION: Do not turn the adjusting dial when the tool is running. Failure to do so may result in the loss of control of the tool and cause an injury.

NOTICE: If the tool is operated continuously at low speed for a long time, the motor will get overloaded, resulting in tool malfunction.

NOTICE: The speed adjusting dial can be turned only as far as 5 and back to 1. Do not force it past 5 or 1, or the speed adjusting function may no longer work.

NOTE: Soft no-load rotation function

When the speed adjusting dial is set to "3" or higher, the tool automatically reduces the speed at no-load to reduce the vibration under no-load.

Once operation starts with a bit against concrete, blows per minute increase and reach the numbers as shown in the table.

When temperature is low, the tool may not have this function even with the motor rotating.

Lighting up the front lamp

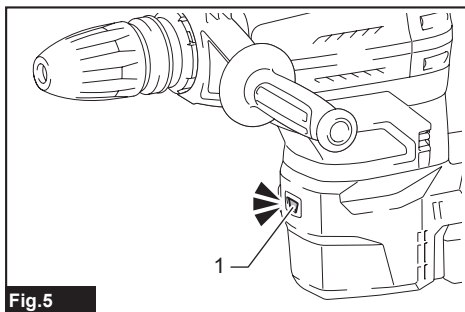


Fig.5

► 1. Lamp

CAUTION: Do not look in the light or see the source of light directly.

Pull the switch trigger to light up the lamp. The lamp keeps on lighting while the switch trigger is being pulled. The lamp goes out approximately 10 seconds after releasing the switch trigger.

NOTICE: If the lamp goes off after blinking for a few seconds, the active feedback sensing technology is not working properly. Ask your local Makita Service Center for repair.


NOTE: Use a dry cloth to wipe the dirt off the lens of the lamp. Be careful not to scratch the lens of lamp, or it may lower the illumination.

Selecting the action mode

NOTICE: Do not rotate the action mode changing knob when the tool is running. The tool will be damaged.

NOTICE: To avoid rapid wear on the mode change mechanism, be sure that the action mode changing knob is always positively located in one of the three action mode positions.

Rotation with hammering

For drilling in concrete, masonry, etc., rotate the action mode changing knob to the  symbol. Use a carbide-tipped drill bit.

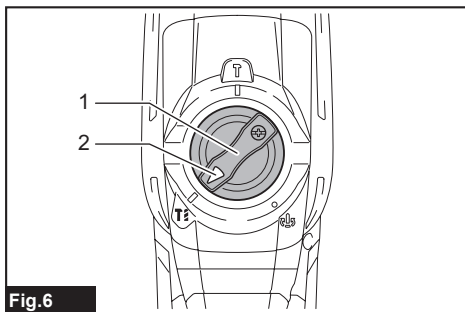


Fig.6

► 1. Action mode changing knob 2. Pointer

Hammering only

For chipping, scaling or demolition operations, rotate the action mode changing knob to the \uparrow symbol. Use a bull point, cold chisel, scaling chisel, etc.

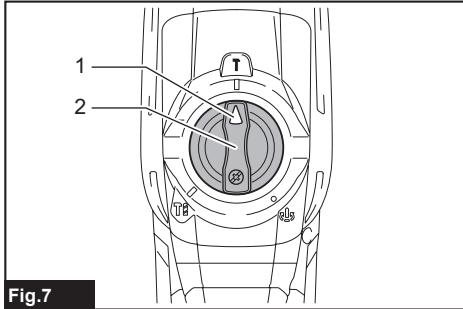


Fig.7

► 1. Pointer 2. Action mode changing knob

Torque limiter

NOTICE: As soon as the torque limiter actuates, switch off the tool immediately. This will help prevent premature wear of the tool.

NOTICE: Drill bits such as hole saw, which tend to pinch or catch easily in the hole, are not appropriate for this tool. This is because they will cause the torque limiter to actuate too frequently.

The torque limiter will actuate when a certain torque level is reached. The motor will disengage from the output shaft. When this happens, the drill bit will stop turning.

Electronic function

The tool is equipped with the electronic functions for easy operation.

Constant speed control

The speed control function provides the constant rotation speed regardless of load conditions.

Soft start

The soft-start function minimizes start-up shock, and makes the machine start smoothly.

Active Feedback sensing Technology

If the tool body suddenly rotates at the specified acceleration due to the drill bit locking, etc., the motor is forcibly stopped to reduce the burden on the wrist.

NOTE: The active feedback sensing technology function does not work if the acceleration does not reach the specified one.

NOTE: The active feedback sensing technology function also actuates just when the bit simply swung at the specified acceleration in any operation.

In this case, release the switch trigger, and then pull the switch trigger to restart the tool.

Electric brake

This tool is equipped with an electric brake. If the tool consistently fails to quickly stop after the switch trigger is released, have the tool serviced at a Makita service center.

ASSEMBLY

CAUTION: Always be sure that the tool is switched off and the battery cartridge is removed before carrying out any work on the tool.

Side handle

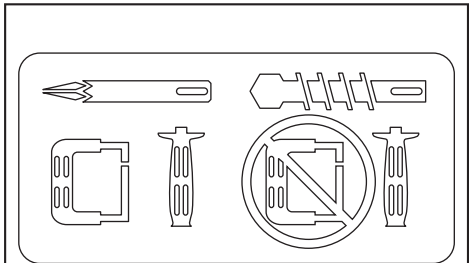


Fig.8

CAUTION: Use the side handle only when chipping, scaling or demolishing. Do not use it when drilling in concrete, masonry, etc. The tool cannot be held properly with this side handle when drilling.

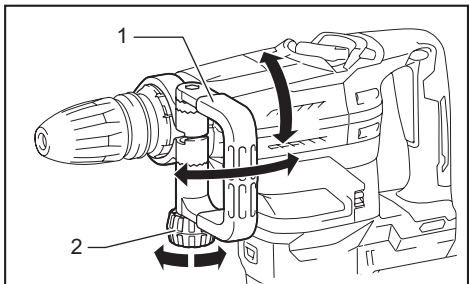


Fig.9

► 1. Side handle 2. Clamp nut

The side handle can be swung in a vertical direction and secured at any desired position. It can also be adjusted at eight steps back and forth in a horizontal direction. Loosen the clamp nut to swing the side handle to a desired position, and then tighten the clamp nut securely.

Side grip (auxiliary handle)

⚠ CAUTION: Always use the side grip to ensure safe operation.

⚠ CAUTION: After installing or adjusting the side grip, make sure that the side grip is firmly secured.

The side grip can be swung, allowing easy handling of the tool in any position. Loosen the side grip by turning it counterclockwise, swing it to the desired position and then tighten it by turning clockwise.

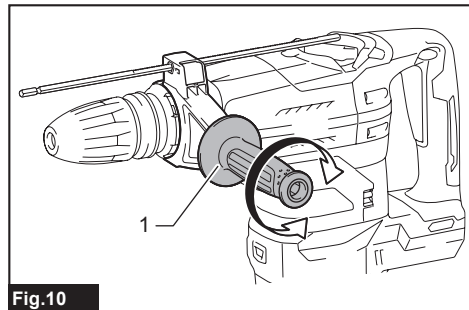


Fig.10

► 1. Side grip

Installing or removing drill bit

Grease

Clean the shank end of the bit and apply grease before installing the bit.

Coat the shank end of the bit beforehand with a small amount of grease (about 0.5 - 1 g). This chuck lubrication assures smooth action and longer service life.

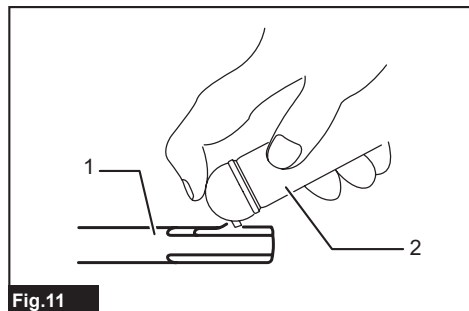


Fig.11

► 1. Shank end 2. Grease

Insert the drill bit into the tool. Turn the drill bit and push it in until it engages.

After installing the drill bit, always make sure that the drill bit is securely held in place by trying to pull it out.

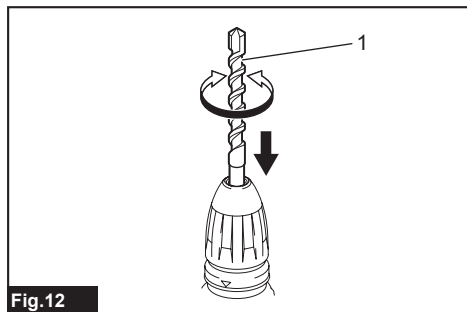


Fig.12

► 1. Drill bit

To remove the drill bit, pull the chuck cover down all the way and pull the drill bit out.

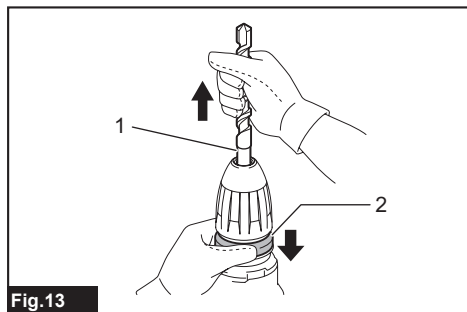



Fig.13

► 1. Drill bit 2. Chuck cover

Chisel angle (when chipping, scaling or demolishing)

The chisel can be secured at the desired angle. To change the chisel angle, rotate the action mode changing knob to the  symbol. Turn the chisel to the desired angle.

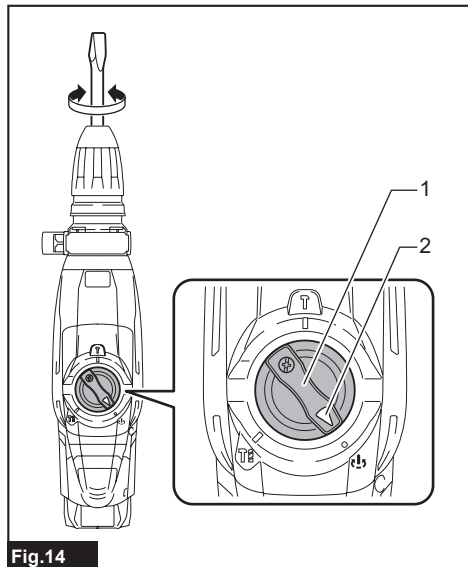



Fig.14

- 1. Action mode changing knob 2. Pointer

Rotate the action mode changing knob to the  symbol. Then make sure that the chisel is securely held in place by turning it slightly.

Depth gauge

The depth gauge is convenient for drilling holes of uniform depth. Press and hold the lock button, and then insert the depth gauge into the hex hole.

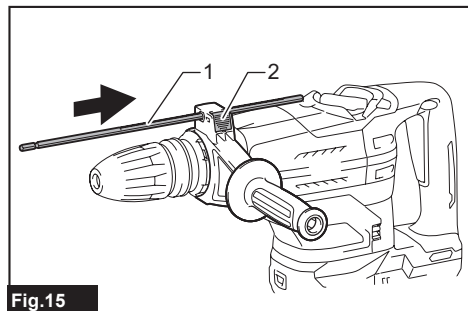


Fig.15

- 1. Depth gauge 2. Lock button

Make sure that the toothed side of the depth gauge faces the marking.

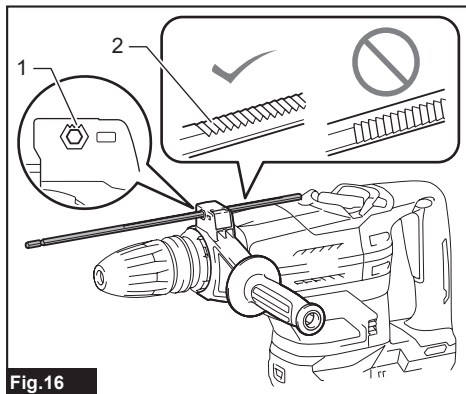


Fig.16

- 1. Marking 2. Toothed side

Adjust the depth gauge by moving it back and forth while pressing the lock button. After the adjustment, release the lock button to lock the depth gauge.

NOTE: Make sure that the depth gauge does not touch the main body of the tool when attaching it.

Dust extractor attachment

Optional accessory

Installing the dust extractor attachment

1. Loosen the side grip on the tool.
2. Install the dust cover so that the claws of the dust cover fit in the grooves between the tool and the side grip.

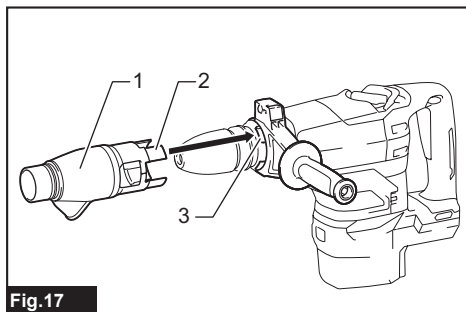


Fig.17

- 1. Dust cover 2. Claw 3. Groove

3. Tighten the side grip securely.

4. Set the suitable bellows or dust cover extension for your work. When you use bellows, attach the joint to its top. When you stack two bellows, connect them with the joint.

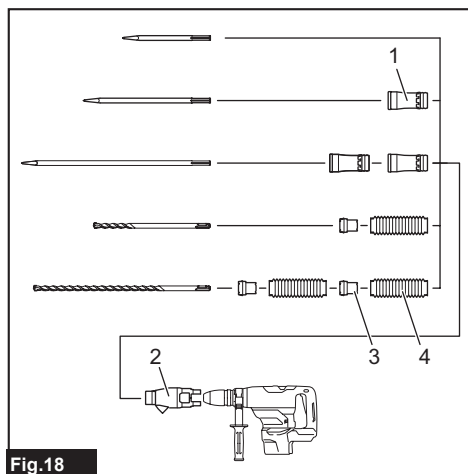


Fig.18

- ▶ 1. Dust cover extension 2. Dust cover 3. Joint 4. Bellows

Connecting the tool to the vacuum cleaner

1. Attach the holder joint to the tool, and then attach the hose holder to the holder joint.

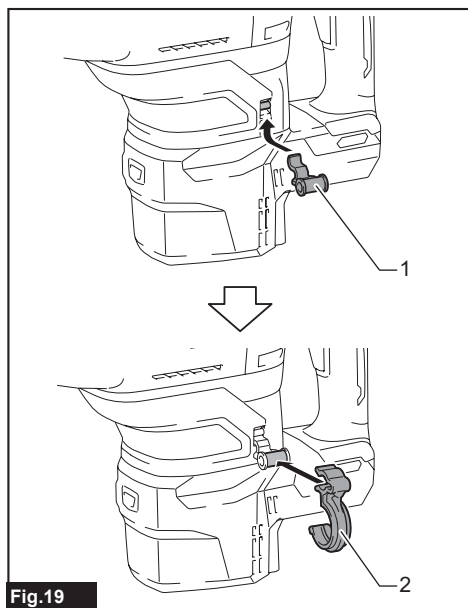


Fig.19

- ▶ 1. Holder joint 2. Hose holder

NOTE: The hose joint can be attached to either side of the tool.

▲WARNING: Use the mounting part of the tool **only** for attaching the holder joint.

Using the mounting part for any other purpose may cause an unexpected accident.

2. Fix the hose to the hose holder.

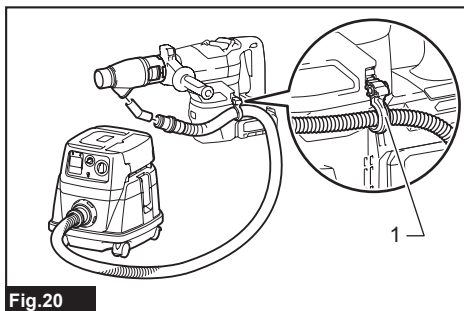


Fig.20

- ▶ 1. Hose holder

NOTE: Use joint 25 to connect the hose and the dust cover if necessary.

Using depth gauge for drilling operation

When you stack two bellows, attach the depth gauge extension to the depth gauge.

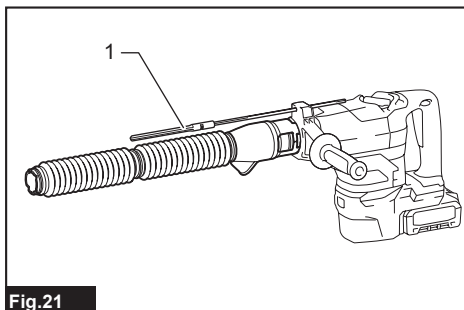


Fig.21

- ▶ 1. Depth gauge extension

Dust extractor attachment (for hammering only)

Optional accessory

1. Install the hose holder (A/B).

When the side handle is installed to tool, loosen the clamp nut, and then remove the hex bolt. Install the hose holder (A) between the hex bolt and the clamp nut by tightening the clamp nut firmly.

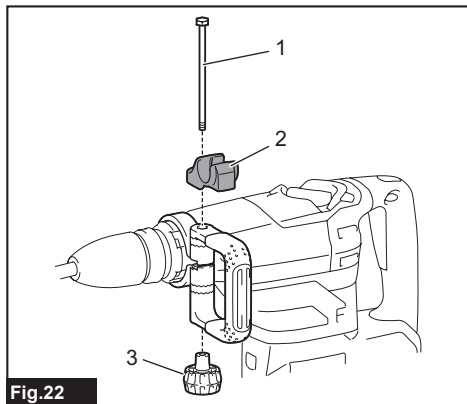


Fig.22

1. Hex bolt 2. Hose holder (A) 3. Clamp nut

When the side grip is installed to the tool, loosen the side grip, mount the hose holder (B) to the shaft, and then tighten the side grip firmly.

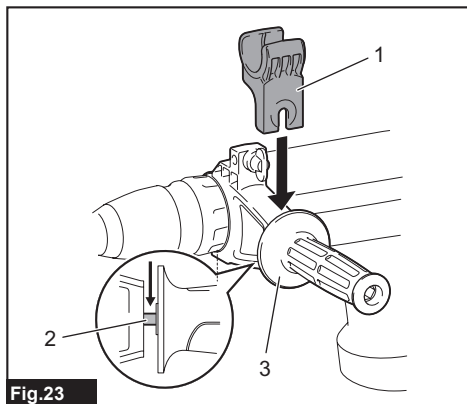


Fig.23

1. Hose holder (B) 2. Shaft 3. Side grip

2. Attach the holder joint to the tool, and then attach the hose holder (C) to the holder joint.

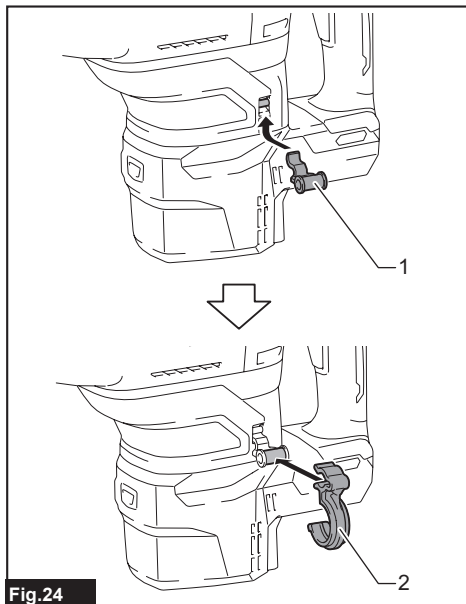


Fig.24

1. Holder joint 2. Hose holder (C)

NOTE: The hose joint can be attached to either side of the tool.

⚠WARNING: Use the mounting part of the tool only for attaching the holder joint.

Using the mounting part for any other purpose may cause an unexpected accident.

3. Attach the dust cover and the hose to the tool, and then fix the hose to the hose holders.

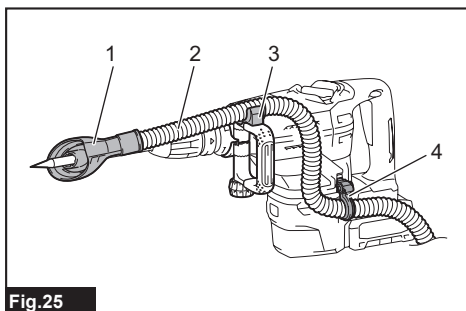


Fig.25

1. Dust cover 2. Hose 3. Hose holder (A/B) 4. Hose holder (C)

4. Connect the hose to the hose of the vacuum cleaner with the hose joint.

NOTE: If the hose is not included, attach the dust cover to the cleaner's hose or attach it to Makita's hose $\varnothing 28$.

5. Adjust the distance between the dust cover and the tip of the chisel or bull point. The recommended distance is 30 mm (1-3/16") to 100 mm (3-15/16").

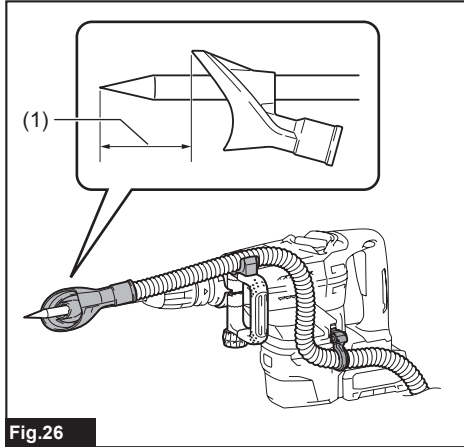


Fig.26

- (1) 30 mm (1-3/16") to 100 mm (3-15/16")

OPERATION

CAUTION: Always use the side handle / side grip (auxiliary handle) and firmly hold the tool by both side handle / side grip and switch handle during operations.

CAUTION: Always make sure that the workpiece is secured before operation. Failure to properly secure the workpiece may cause the workpiece to move resulting in injury.

CAUTION: Do not pull the tool out forcibly even the bit gets stuck. Loss of control may cause injury.

CAUTION: Do not leave the tool stabbed in the workpiece. Otherwise the tool may start unintentionally and cause an injury.

NOTE: If the battery cartridge is in low temperature, the tool's capability may not be fully obtained. In this case, warm up the battery cartridge by using the tool with no load for a while to fully obtain the tool's capability.

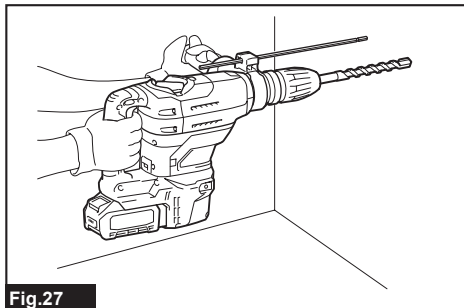



Fig.27

Hammer drilling operation


CAUTION: There is tremendous and sudden twisting force exerted on the tool/drill bit at the time of hole break-through, when the hole becomes clogged with chips and particles, or when striking reinforcing rods embedded in the concrete. **Always use the side grip (auxiliary handle) and firmly hold the tool by both side grip and switch handle during operations.** Failure to do so may result in the loss of control of the tool and potentially severe injury.

Set the action mode changing knob to the  symbol. Position the drill bit at the desired location for the hole, then pull the switch trigger. Do not force the tool. Light pressure gives best results. Keep the tool in position and prevent it from slipping away from the hole.

Do not apply more pressure when the hole becomes clogged with chips or particles. Instead, run the tool at an idle, then remove the drill bit partially from the hole. By repeating this several times, the hole will be cleaned out and normal drilling may be resumed.

NOTE: Eccentricity in the drill bit rotation may occur while operating the tool with no load. The tool automatically centers itself during operation. This does not affect the drilling precision.

Chipping/Scaling/Demolition

Set the action mode changing knob to the  symbol. Hold the tool firmly with both hands. Turn the tool on and apply slight pressure on the tool so that the tool will not bounce around, uncontrolled. Pressing very hard on the tool will not increase the efficiency.

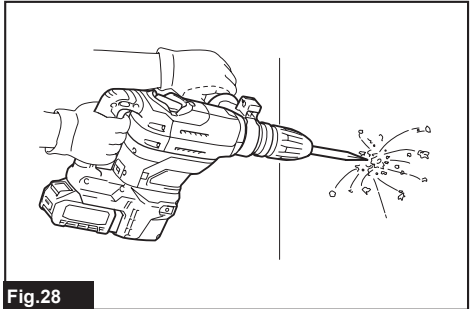


Fig.28

Blow-out bulb

Optional accessory

After drilling the hole, use the blow-out bulb to clean the dust out of the hole.

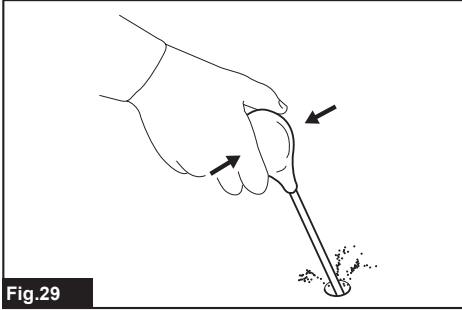


Fig.29

WIRELESS ACTIVATION FUNCTION

Optional accessory

What you can do with the wireless activation function

The wireless activation function enables clean and comfortable operation. By connecting a supported vacuum cleaner to the tool, you can run the vacuum cleaner automatically along with the switch operation of the tool.

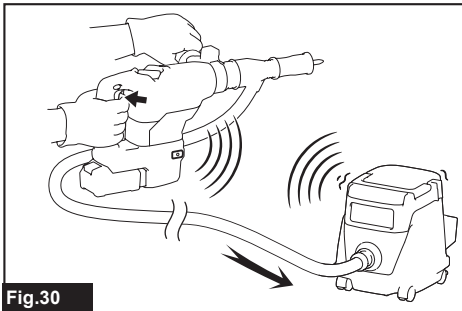


Fig.30

To use the wireless activation function, prepare following items:

- A wireless unit (optional accessory)
- A vacuum cleaner which supports the wireless activation function

The overview of the wireless activation function setting is as follows. Refer to each section for detail procedures.

1. Installing the wireless unit
2. Tool registration for the vacuum cleaner
3. Starting the wireless activation function

Installing the wireless unit

Optional accessory

CAUTION: Place the tool on a flat and stable surface when installing the wireless unit.

NOTICE: Clean the dust and dirt on the tool before installing the wireless unit. Dust or dirt may cause malfunction if it comes into the slot of the wireless unit.

NOTICE: To prevent the malfunction caused by static, touch a static discharging material, such as a metal part of the tool, before picking up the wireless unit.

NOTICE: When installing the wireless unit, always be sure that the wireless unit is inserted in the correct direction and the lid is completely closed.

1. Open the lid on the tool as shown in the figure.

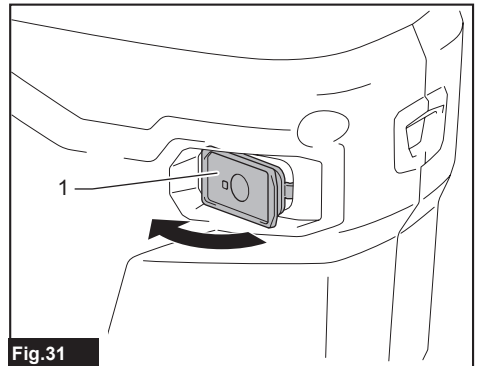


Fig.31

- ▶ 1. Lid

2. Insert the wireless unit to the slot and then close the lid.

When inserting the wireless unit, align the projections with the recessed portions on the slot.

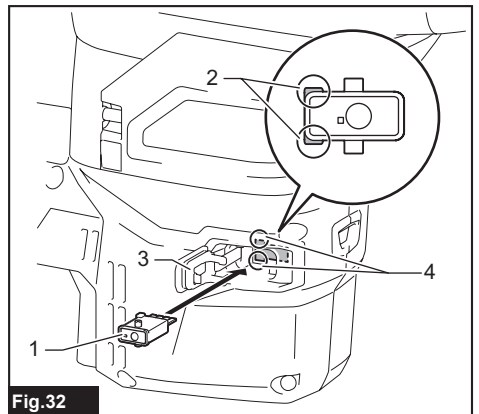


Fig.32

- ▶ 1. Wireless unit 2. Projection 3. Lid 4. Recessed portion

When removing the wireless unit, open the lid slowly. The hooks on the back of the lid will lift the wireless unit as you pull up the lid.

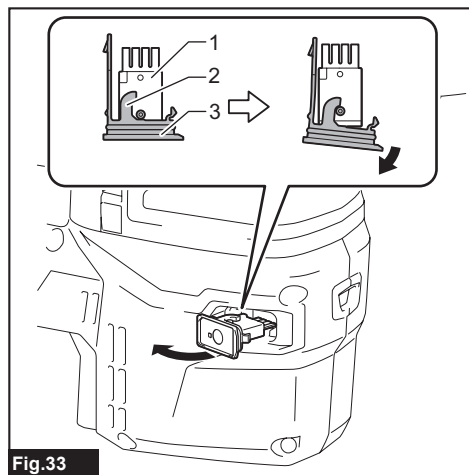


Fig.33

► 1. Wireless unit 2. Hook 3. Lid

After removing the wireless unit, keep it in the supplied case or a static-free container.

NOTICE: Always use the hooks on the back of the lid when removing the wireless unit. If the hooks do not catch the wireless unit, close the lid completely and open it slowly again.

Tool registration for the vacuum cleaner

NOTE: A Makita vacuum cleaner supporting the wireless activation function is required for the tool registration.

NOTE: Finish installing the wireless unit to the tool before starting the tool registration.

NOTE: During the tool registration, do not pull the switch trigger or turn on the power switch on the vacuum cleaner.

NOTE: Refer to the instruction manual of the vacuum cleaner, too.

If you wish to activate the vacuum cleaner along with the switch operation of the tool, finish the tool registration beforehand.

1. Install the batteries to the vacuum cleaner and the tool.

2. Set the stand-by switch on the vacuum cleaner to "AUTO".

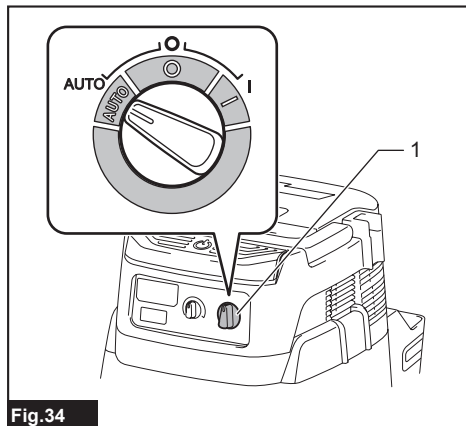


Fig.34

► 1. Stand-by switch

3. Press the wireless activation button on the vacuum cleaner for 3 seconds until the wireless activation lamp blinks in green. And then press the wireless activation button on the tool in the same way.

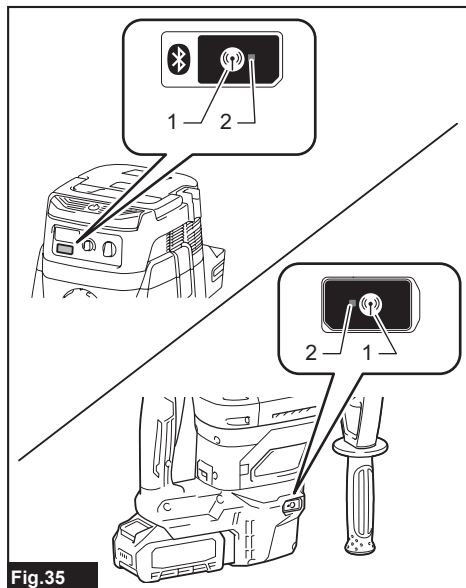


Fig.35

► 1. Wireless activation button 2. Wireless activation lamp

If the vacuum cleaner and the tool are linked successfully, the wireless activation lamps will light up in green for 2 seconds and start blinking in blue.

NOTE: The wireless activation lamps finish blinking in green after 20 seconds elapsed. Press the wireless activation button on the tool while the wireless activation lamp on the cleaner is blinking. If the wireless activation lamp does not blink in green, push the wireless activation button briefly and hold it down again.

NOTE: When performing two or more tool registrations for one vacuum cleaner, finish the tool registration one by one.

Starting the wireless activation function

NOTE: Finish the tool registration for the vacuum cleaner prior to the wireless activation.

NOTE: Refer to the instruction manual of the vacuum cleaner, too.

After registering a tool to the vacuum cleaner, the vacuum cleaner will automatically runs along with the switch operation of the tool.

1. Install the wireless unit to the tool.
2. Connect the hose of the vacuum cleaner with the tool.

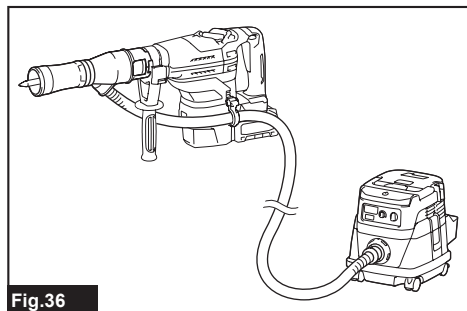


Fig.36

3. Set the stand-by switch on the vacuum cleaner to "AUTO".

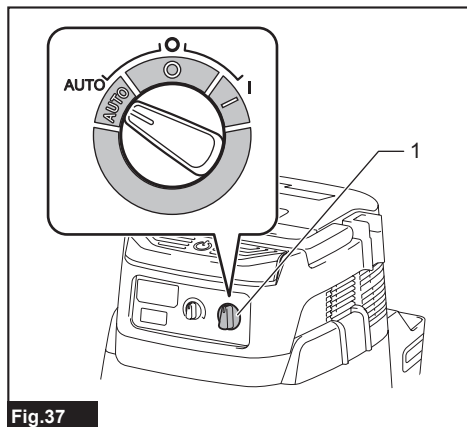


Fig.37

- ▶ 1. Stand-by switch

4. Push the wireless activation button on the tool briefly. The wireless activation lamp will blink in blue.

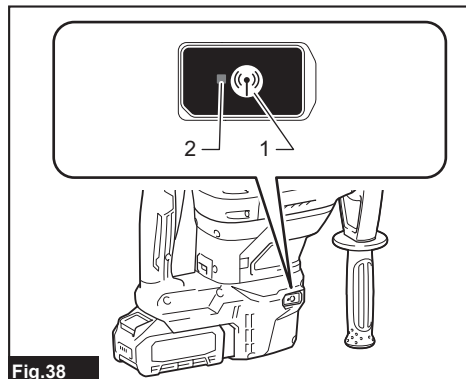


Fig.38

- ▶ 1. Wireless activation button 2. Wireless activation lamp

5. Pull the switch trigger of the tool. Check if the vacuum cleaner runs while the switch trigger is being pulled.

To stop the wireless activation of the vacuum cleaner, push the wireless activation button on the tool.

NOTE: The wireless activation lamp on the tool will stop blinking in blue when there is no operation for 2 hours. In this case, set the stand-by switch on the vacuum cleaner to "AUTO" and push the wireless activation button on the tool again.

NOTE: The vacuum cleaner starts/stops with a delay. There is a time lag when the vacuum cleaner detects a switch operation of the tool.

NOTE: The transmission distance of the wireless unit may vary depending on the location and surrounding circumstances.

NOTE: When two or more tools are registered to one vacuum cleaner, the vacuum cleaner may start running even if you do not pull the switch trigger because another user is using the wireless activation function.

Description of the wireless activation lamp status

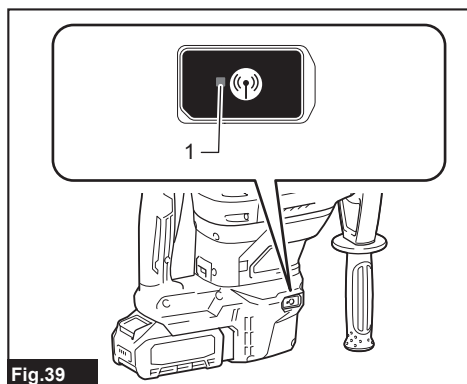


Fig.39

► **1. Wireless activation lamp**

The wireless activation lamp shows the status of the wireless activation function. Refer to the table below for the meaning of the lamp status.

Status	Wireless activation lamp			Duration	Description
	Color	<input type="checkbox"/> On <input type="checkbox"/> Blinking			
Standby	Blue	<input checked="" type="checkbox"/>		2 hours	The wireless activation of the vacuum cleaner is available. The lamp will automatically turn off when no operation is performed for 2 hours.
		<input type="checkbox"/>		When the tool is running.	The wireless activation of the vacuum cleaner is available and the tool is running.
Tool registration	Green	<input checked="" type="checkbox"/>		20 seconds	Ready for the tool registration. Waiting for the registration by the vacuum cleaner.
		<input type="checkbox"/>		2 seconds	The tool registration has been finished. The wireless activation lamp will start blinking in blue.
Cancelling tool registration	Red	<input checked="" type="checkbox"/>		20 seconds	Ready for the cancellation of the tool registration. Waiting for the cancellation by the vacuum cleaner.
		<input type="checkbox"/>		2 seconds	The cancellation of the tool registration has been finished. The wireless activation lamp will start blinking in blue.
Others	Red	<input type="checkbox"/>		3 seconds	The power is supplied to the wireless unit and the wireless activation function is starting up.
	Off		-	-	The wireless activation of the vacuum cleaner is stopped.

Cancelling tool registration for the vacuum cleaner

Perform the following procedure when cancelling the tool registration for the vacuum cleaner.

1. Install the batteries to the vacuum cleaner and the tool.
2. Set the stand-by switch on the vacuum cleaner to "AUTO".

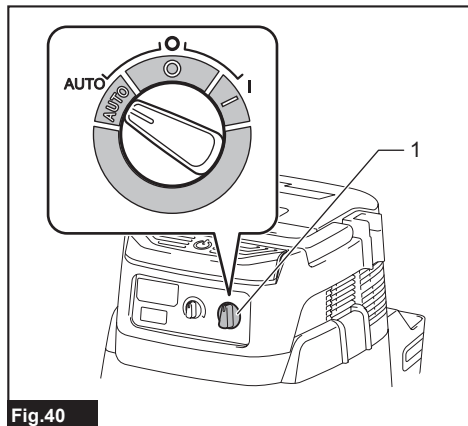


Fig.40

- 1. Stand-by switch

3. Press the wireless activation button on the vacuum cleaner for 6 seconds. The wireless activation lamp blinks in green and then become red. After that, press the wireless activation button on the tool in the same way.

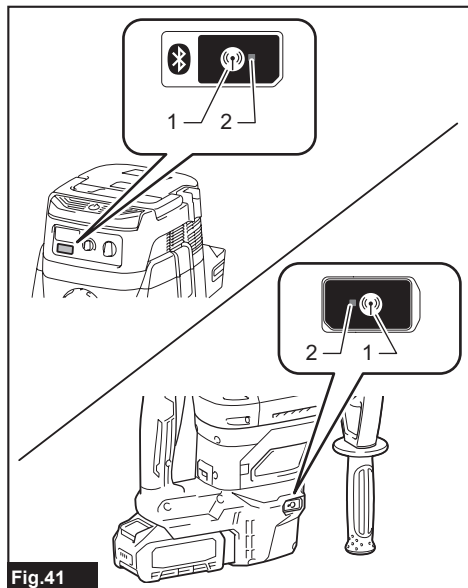


Fig.41

- 1. Wireless activation button 2. Wireless activation lamp

If the cancellation is performed successfully, the wireless activation lamps will light up in red for 2 seconds and start blinking in blue.

NOTE: The wireless activation lamps finish blinking in red after 20 seconds elapsed. Press the wireless activation button on the tool while the wireless activation lamp on the cleaner is blinking. If the wireless activation lamp does not blink in red, push the wireless activation button briefly and hold it down again.

Troubleshooting for wireless activation function

Before asking for repairs, conduct your own inspection first. If you find a problem that is not explained in the manual, do not attempt to dismantle the tool. Instead, ask Makita Authorized Service Centers, always using Makita replacement parts for repairs.

State of abnormality	Probable cause (malfunction)	Remedy
The wireless activation lamp does not light/blink.	The wireless unit is not installed into the tool. The wireless unit is improperly installed into the tool.	Install the wireless unit correctly.
	The terminal of the wireless unit and/or the slot is dirty.	Gently wipe off dust and dirt on the terminal of the wireless unit and clean the slot.
	The wireless activation button on the tool has not been pushed.	Push the wireless activation button on the tool briefly.
	The stand-by switch on the vacuum cleaner is not set to "AUTO".	Set the stand-by switch on the vacuum cleaner to "AUTO".
	No power supply	Supply the power to the tool and the vacuum cleaner.
Cannot finish tool registration / cancelling tool registration successfully.	The wireless unit is not installed into the tool. The wireless unit is improperly installed into the tool.	Install the wireless unit correctly.
	The terminal of the wireless unit and/or the slot is dirty.	Gently wipe off dust and dirt on the terminal of the wireless unit and clean the slot.
	The stand-by switch on the vacuum cleaner is not set to "AUTO".	Set the stand-by switch on the vacuum cleaner to "AUTO".
	No power supply	Supply the power to the tool and the vacuum cleaner.
	Incorrect operation	Push the wireless activation button briefly and perform the tool registration/cancellation procedures again.
	The tool and vacuum cleaner are away from each other (out of the transmission range).	Get the tool and vacuum cleaner closer to each other. The maximum transmission distance is approximately 10 m however it may vary according to the circumstances.
	Before finishing the tool registration/cancellation; - the switch trigger on the tool is pulled or; - the power button on the vacuum cleaner is turned on.	Push the wireless activation button briefly and perform the tool registration/cancellation procedures again.
	The tool registration procedures for the tool or vacuum cleaner have not finished.	Perform the tool registration procedures for both the tool and the vacuum cleaner at the same timing.
	Radio disturbance by other appliances which generate high-intensity radio waves.	Keep the tool and vacuum cleaner away from the appliances such as Wi-Fi devices and microwave ovens.
The vacuum cleaner does not run along with the switch operation of the tool.	The wireless unit is not installed into the tool. The wireless unit is improperly installed into the tool.	Install the wireless unit correctly.
	The terminal of the wireless unit and/or the slot is dirty.	Gently wipe off dust and dirt on the terminal of the wireless unit and clean the slot.
	The wireless activation button on the tool has not been pushed.	Push the wireless activation button briefly and make sure that the wireless activation lamp is blinking in blue.
	The stand-by switch on the vacuum cleaner is not set to "AUTO".	Set the stand-by switch on the vacuum cleaner to "AUTO".
	More than 10 tools are registered to the vacuum cleaner.	Perform the tool registration again. If more than 10 tools are registered to the vacuum cleaner, the tool registered earliest will be cancelled automatically.
	The vacuum cleaner erased all tool registrations.	Perform the tool registration again.
	No power supply	Supply the power to the tool and the vacuum cleaner.
	The tool and vacuum cleaner are away from each other (out of the transmission range).	Get the tool and vacuum cleaner closer each other. The maximum transmission distance is approximately 10 m however it may vary according to the circumstances.
Radio disturbance by other appliances which generate high-intensity radio waves.	Keep the tool and vacuum cleaner away from the appliances such as Wi-Fi devices and microwave ovens.	
The vacuum cleaner runs while the tool's switch trigger is not pulled.	Other users are using the wireless activation of the vacuum cleaner with their tools.	Turn off the wireless activation button of the other tools or cancel the tool registration of the other tools.

MAINTENANCE

⚠ CAUTION: Always be sure that the tool is switched off and the battery cartridge is removed before attempting to perform inspection or maintenance.

NOTICE: Never use gasoline, benzine, thinner, alcohol or the like. Discoloration, deformation or cracks may result.

To maintain product SAFETY and RELIABILITY, repairs, any other maintenance or adjustment should be performed by Makita Authorized or Factory Service Centers, always using Makita replacement parts.

OPTIONAL ACCESSORIES

⚠ CAUTION: These accessories or attachments are recommended for use with your Makita tool specified in this manual. The use of any other accessories or attachments might present a risk of injury to persons. Only use accessory or attachment for its stated purpose.

If you need any assistance for more details regarding these accessories, ask your local Makita Service Center.

- SDS-MAX Carbide-tipped drill bits
- SDS-MAX bull point
- SDS-MAX cold chisel
- SDS-MAX scaling chisel
- SDS-MAX clay spade
- Bit grease
- Side handle
- Side grip
- Depth gauge
- Blow-out bulb
- Dust extractor attachment
- Safety goggles
- Wireless unit
- Makita genuine battery and charger
- Plastic carrying case

NOTE: Some items in the list may be included in the tool package as standard accessories. They may differ from country to country.

MAKITA LIMITED WARRANTY

Please refer to the annexed warranty sheet for the most current warranty terms applicable to this product. If annexed warranty sheet is not available, refer to the warranty details set forth at below website for your respective country.

United States of America: www.makitatools.com

Canada: www.makita.ca

Other countries: www.makita.com

SPÉCIFICATIONS

Modèle :		HR005G
Capacités	Embout à pointe de carbure	40 mm (1-9/16")
	Trépan	105 mm (4-1/8")
Vitesse à vide (T/MIN)		250 - 500 /min
Nombre de frappes par minute		1 450 - 2 900 /min
Longueur hors-tout	avec BL4025	484 mm (19")
	avec BL4040	500 mm (19-3/4")
Tension nominale		C.C. 36 V - 40 V max.
Poids net		7,4 - 8,2 kg (16,3 - 18,1 lbs)

- Étant donné l'évolution constante de notre programme de recherche et développement, les spécifications contenues dans ce manuel sont sujettes à modification sans préavis.
- Les spécifications et la batterie peuvent varier suivant les pays.
- Le poids peut varier selon les accessoires, y compris la batterie. La plus légère et la plus lourde combinaisons, selon la procédure EPTA 01/2014, sont indiquées dans le tableau.

Batteries et chargeurs applicables

Batterie	BL4020 / BL4025 / BL4040* / BL4050F* * : Batterie recommandée
Chargeur	DC40RA / DC40RB / DC40RC

- Suivant la région où vous habitez, il se peut que certaines des batteries et certains des chargeurs énumérés ci-dessus ne soient pas disponibles.

⚠ MISE EN GARDE : Utilisez exclusivement les batteries et chargeurs énumérés ci-dessus. L'utilisation de toute autre batterie ou tout autre chargeur peut entraîner une blessure et/ou un incendie.

Source d'alimentation connectée au cordon recommandée

Support d'alimentation portable	PDC01 / PDC1200
---------------------------------	-----------------

- Suivant la région où vous habitez, il se peut que la ou les sources d'alimentation connectées au cordon énumérées ci-dessus ne soient pas disponibles.
- Avant d'utiliser la source d'alimentation connectée au cordon, lisez les instructions et indications de mise en garde qui se trouvent sur celle-ci.

CONSIGNES DE SÉCURITÉ

Consignes de sécurité générales pour outils électriques

⚠ MISE EN GARDE : Lisez toutes les mises en garde, instructions, illustrations et spécifications qui accompagnent cet outil électrique. Il y a un risque de décharge électrique, d'incendie et/ou de blessure grave si les instructions ci-dessous ne sont pas toutes respectées.

Conservez toutes les mises en garde et instructions pour référence future.

Le terme « outil électrique » qui figure dans les avertissements fait référence à un outil électrique branché sur une prise de courant (par un cordon d'alimentation) ou alimenté par batterie (sans fil).

Sécurité de la zone de travail

1. **Maintenez la zone de travail propre et bien éclairée.** Les zones de travail encombrées ou sombres ouvrent grande la porte aux accidents.
2. **N'utilisez pas les outils électriques dans les atmosphères explosives, par exemple en présence de liquides, gaz ou poussières inflammables.** Les outils électriques produisent des étincelles au contact desquelles la poussière ou les vapeurs peuvent s'enflammer.

3. **Assurez-vous qu'aucun enfant ou curieux ne s'approche pendant que vous utilisez un outil électrique.** Vous risquez de perdre la maîtrise de l'outil si votre attention est détournée.

Sécurité en matière d'électricité

1. **Les fiches d'outil électrique sont conçues pour s'adapter parfaitement aux prises de courant. Ne modifiez jamais la fiche de quelque façon que ce soit. N'utilisez aucun adaptateur de fiche sur les outils électriques avec mise à la terre.** En ne modifiant pas les fiches et en les insérant dans des prises de courant pour lesquelles elles ont été conçues, vous réduirez les risques de choc électrique.
2. **Évitez tout contact corporel avec les surfaces mises à la terre, telles que tuyaux, radiateurs, cuisinières et réfrigérateurs.** Le risque de choc électrique est plus élevé si votre corps se trouve mis à la terre.
3. **N'exposez pas les outils électriques à la pluie ou à l'eau.** La présence d'eau dans un outil électrique augmente le risque de choc électrique.
4. **Ne maltraitez pas le cordon. N'utilisez jamais le cordon pour transporter, tirer ou débrancher l'outil électrique. Maintenez le cordon à l'écart des sources de chaleur, de l'huile, des objets à bords tranchants et des pièces en mouvement.** Le risque de choc électrique est plus élevé lorsque les cordons sont endommagés ou enchevêtrés.
5. **Lorsque vous utilisez un outil électrique à l'extérieur, utilisez un cordon prolongateur conçu pour l'usage extérieur.** Les risques de choc électrique est moindre lorsqu'un cordon conçu pour l'usage extérieur est utilisé.
6. **Si vous devez utiliser un outil électrique dans un endroit humide, utilisez une source d'alimentation protégée par un disjoncteur de fuite à la terre.** L'utilisation d'un disjoncteur de fuite à la terre réduit le risque de choc électrique.
7. **Les outils électriques peuvent produire des champs électromagnétiques (CEM) qui ne sont pas préjudiciables à l'utilisateur.** Les utilisateurs de stimulateur cardiaque ou autres appareils médicaux similaires doivent toutefois demander conseil au fabricant et/ou à leur médecin avant d'utiliser cet outil électrique.

Sécurité personnelle

1. **Restez alerte, attentif à vos mouvements et faites preuve de bon sens lorsque vous utilisez un outil électrique. N'utilisez pas les outils électriques si vous êtes fatigué ou avez pris une drogue, de l'alcool ou un médicament.** Un moment d'inattention pendant l'utilisation d'un outil électrique peut entraîner une grave blessure.
2. **Portez des dispositifs de protection personnelle. Portez toujours une protection oculaire.** Les risques de blessure seront moins élevés si vous utilisez des dispositifs de protection tels qu'un masque anti-poussière, des chaussures à semelle antidérapante, une coiffure résistante ou une protection d'oreilles.
3. **Évitez les démarrages accidentels. Assurez-vous que l'interrupteur est en position d'arrêt avant de brancher l'outil à la prise de courant et/ou au bloc-piles, et avant de prendre ou de transporter l'outil.** Vous ouvrez la porte aux accidents si vous transportez les outils électriques avec le doigt sur l'interrupteur ou si vous les branchez alors que l'interrupteur est en position de marche.

4. **Retirez toute clé de réglage ou de serrage avant de mettre l'outil électrique sous tension.** Toute clé laissée en place sur une pièce rotative de l'outil électrique peut entraîner une blessure.
5. **Ne vous étirez pas exagérément. Assurez-vous d'une bonne prise au sol et d'un bon équilibre en tout temps.** Cela vous permettra d'avoir une meilleure maîtrise de l'outil électrique dans les situations imprévues.
6. **Portez des vêtements adéquats. Ne portez ni vêtements amples ni bijoux. Gardez vos cheveux, vêtements et gants à l'écart des pièces en mouvement.** Les vêtements amples, bijoux ou cheveux longs peuvent être happés par les pièces en mouvement.
7. **Si des accessoires sont fournis pour raccorder un appareil d'aspiration et de collecte de la poussière, assurez-vous qu'ils sont correctement raccordés et qu'ils sont utilisés de manière adéquate.** L'utilisation d'un appareil de collecte permet de réduire les risques liés à la présence de poussière dans l'air.
8. **Évitez d'être complaisant et d'ignorer les principes de sécurité de l'outil en raison de la familiarité acquise par un usage fréquent des outils.** Un geste imprudent peut entraîner une grave blessure en une fraction de seconde.
9. **Portez toujours des lunettes à coques de protection pour protéger vos yeux contre les blessures lors de l'utilisation d'outils électriques. Les lunettes à coques doivent être conformes à ANSI Z87.1 aux États-Unis. L'employeur a la responsabilité d'imposer l'utilisation d'équipements de protection de sécurité adéquats aux utilisateurs des outils électriques et à toute autre personne se trouvant dans la zone de travail immédiate.**

Utilisation et entretien des outils électriques

1. **Ne forcez pas l'outil électrique. Utilisez l'outil électrique adéquat suivant le type de travail à effectuer.** Si vous utilisez l'outil électrique adéquat et respectez le régime pour lequel il a été conçu, il effectuera un travail de meilleure qualité et plus sécuritaire.
2. **N'utilisez pas l'outil électrique s'il n'est pas possible de l'allumer et de l'éteindre avec son interrupteur.** Un outil électrique dont l'interrupteur est défectueux représente un danger et doit être réparé.
3. **Avant d'effectuer tout réglage, de remplacer un accessoire ou de ranger l'outil électrique, débranchez la fiche de la source d'alimentation et/ou retirez la batterie de l'outil électrique si elle est amovible.** Ces mesures préventives de sécurité réduisent les risques de démarrage accidentel de l'outil électrique.
4. **Après l'utilisation d'un outil électrique, rangez-le hors de portée des enfants et ne laissez aucune personne l'utiliser si elle n'est pas familiarisée avec l'outil électrique ou les présentes instructions d'utilisation.** Les outils électriques représentent un danger entre les mains de personnes qui n'en connaissent pas le mode d'utilisation.

5. **Effectuez l'entretien des outils électriques et des accessoires. Assurez-vous que les pièces mobiles ne sont pas désalignées ou coincées, qu'aucune pièce n'est cassée et que l'outil électrique n'a subi aucun dommage affectant son bon fonctionnement. Le cas échéant, faites réparer l'outil électrique avant de l'utiliser.** De nombreux accidents sont causés par des outils électriques mal entretenus.
6. **Maintenez les outils tranchants bien aiguisés et propres.** Un outil tranchant dont l'entretien est effectué correctement et dont les bords sont bien aiguisés risquera moins de se coincer et sera plus facile à maîtriser.
7. **Utilisez l'outil électrique, ses accessoires, ses embouts, etc., en respectant les présentes instructions, en tenant compte des conditions de travail et du type de travail à effectuer.** L'utilisation d'un outil électrique pour d'autres usages que ceux prévus peut entraîner une situation dangereuse.
8. **Gardez les poignées et surfaces de saisie sèches, propres et exemptes d'huile et de graisse.** Les poignées et surfaces de saisie glissantes ne permettent pas une manipulation sûre et une bonne maîtrise de l'outil dans les situations inattendues.
9. **Lors de l'utilisation de l'outil, ne portez pas de gants de travail en tissu qui risquent de s'enchevêtrer dans l'outil.** L'enchevêtrement de gants de travail en tissu dans les pièces en mouvement peut entraîner une blessure.

Utilisation et entretien des outils alimentés par batterie

1. **Pour recharger, utilisez uniquement le chargeur spécifié par le fabricant.** L'utilisation d'un chargeur conçu pour un type donné de bloc-piles comporte un risque d'incendie lorsqu'il est utilisé avec un autre type de bloc-piles.
2. **N'utilisez un outil électrique qu'avec le bloc-piles conçu spécifiquement pour cet outil.** Il y a risque de blessure ou d'incendie si un autre bloc-piles est utilisé.
3. **Lorsque vous n'utilisez pas le bloc-piles, rangez-le à l'écart des objets métalliques tels que trombones, pièces de monnaie, clés, clous, vis ou autres petits objets métalliques qui risqueraient d'établir une connexion entre les bornes.** La mise en court-circuit des bornes de batterie peut causer des brûlures ou un incendie.
4. **Dans des conditions d'utilisation inadéquates de la batterie, il peut y avoir fuite d'électrolyte; évitez tout contact avec ce liquide. En cas de contact accidentel, rincez avec beaucoup d'eau. Si le liquide pénètre dans vos yeux, il faut aussi consulter un médecin.** L'électrolyte qui s'échappe de la batterie peut causer des irritations ou des brûlures.
5. **N'utilisez pas une batterie ou un outil s'il est endommagé ou modifié.** Les batteries endommagées ou modifiées peuvent avoir un comportement imprévisible dont peut résulter un incendie, une explosion ou un risque de blessure.
6. **N'exposez pas une batterie ou un outil au feu ou à une température excessive.** L'exposition au feu ou à une température supérieure à 130 °C peut entraîner une explosion.

7. **Suivez toutes les instructions de charge et ne chargez pas la batterie ou l'outil à l'extérieur de la plage de température spécifiée dans les instructions.** Charger de manière inadéquate ou à des températures hors de la plage spécifiée peut endommager la batterie et augmenter le risque d'incendie.

Réparation

1. **Faites réparer votre outil électrique par un réparateur qualifié qui utilise des pièces de rechange identiques aux pièces d'origine.** Le maintien de la sûreté de l'outil électrique sera ainsi assuré.
2. **N'essayez jamais de réparer les batteries endommagées.** La réparation des batteries ne doit être effectuée que par le fabricant ou par un fournisseur de service après-vente agréé.
3. **Suivez les instructions de lubrification et de remplacement des accessoires.**
4. **Ne modifiez pas ou n'essayez pas de réparer l'appareil ou la batterie autrement que tel qu'indiqué dans les instructions d'utilisation et d'entretien.**

CONSIGNES DE SÉCURITÉ POUR PERFORATEUR SANS FIL

1. **Portez des protections d'oreilles.** L'exposition au bruit peut entraîner des lésions de l'ouïe.
2. **Utilisez la ou les poignées auxiliaires si elles sont fournies avec l'outil.** Toute perte de maîtrise comporte un risque de blessure.
3. **Tenez l'outil électrique par ses surfaces de poigne isolées lorsque vous effectuez une opération au cours de laquelle l'accessoire de coupe peut entrer en contact avec des fils dissimulés.** Au contact d'un fil sous tension, l'accessoire de coupe peut mettre sous tension les parties métalliques dénudées de l'outil électrique et exposer l'utilisateur à une décharge électrique.
4. **Portez une coiffure rigide (un casque de sécurité), des lunettes de sécurité et/ou un écran facial.** Les lunettes ordinaires et les lunettes de soleil NE sont PAS des lunettes de sécurité. Il est aussi vivement recommandé de porter un masque anti-poussières et des gants à rembourrage épais.
5. **Avant l'utilisation, assurez-vous que l'embout est bien fixé en place.**
6. **Dans des conditions normales d'utilisation, l'outil est conçu pour produire des vibrations. Les vis peuvent se desserrer facilement et causer une panne ou un accident.** Avant l'utilisation, vérifiez soigneusement le serrage des vis.
7. **Par temps froid ou lorsque l'outil est resté inutilisé pendant une longue période, faites-le réchauffer pendant un moment en le faisant tourner à vide.** Cela réchauffera le lubrifiant. Sans un réchauffement adéquat, le martelage s'effectue difficilement.
8. **Pensez toujours à prendre pied solidement.** Assurez-vous qu'il n'y a personne plus bas lorsque vous utilisez l'outil en position élevée.
9. **Tenez l'outil fermement à deux mains.**
10. **Gardez les mains éloignées des pièces en mouvement.**
11. **Ne quittez pas l'outil pendant qu'il tourne.** N'utilisez l'outil qu'une fois que vous l'avez bien en main.

12. Ne pointez l'outil vers personne autour de vous pendant l'utilisation. L'embout pourrait être éjecté et blesser quelqu'un grièvement.
 13. Ne touchez pas l'embout, les pièces situées près de l'embout, ou la pièce immédiatement après l'utilisation; ils peuvent être extrêmement chauds et brûler votre peau.
 14. Certains matériaux contiennent des produits chimiques qui peuvent être toxiques. Prenez les précautions nécessaires pour éviter l'inhalation de ces poussières ou leur contact avec la peau. Conformez-vous aux consignes de sécurité du fournisseur du matériau.
 15. Assurez-vous toujours que l'outil est éteint et que la batterie et l'embout sont retirés avant de remettre l'outil à quelqu'un.
 16. Avant l'utilisation, assurez-vous qu'il n'y a pas d'objets enterrés tels que tuyaux d'électricité, d'eau ou de gaz dans la zone de travail. Autrement, l'embout-mèche/ciseau risque de les toucher et d'entraîner une décharge électrique, une dispersion électrique ou une fuite de gaz.
 17. Ne faites pas tourner inutilement l'outil à vide.
3. Cessez immédiatement l'utilisation si le temps de fonctionnement devient excessivement court. Il y a risque de surchauffe, de brûlures, voire d'explosion.
 4. Si l'électrolyte pénètre dans vos yeux, rincez-les à l'eau claire et consultez immédiatement un médecin. Il y a risque de perte de la vue.
 5. Ne court-circuitez pas la batterie :
 - (1) Ne touchez les bornes avec aucun matériau conducteur.
 - (2) Évitez de ranger la batterie dans un conteneur avec d'autres objets métalliques tels que clous, pièces de monnaie, etc.
 - (3) Évitez d'exposer la batterie à l'eau ou à la pluie.


Un court-circuit de la batterie pourrait provoquer un fort courant, une surchauffe, parfois des brûlures et même une panne.
 6. Ne rangez pas et n'utilisez pas l'outil ou la batterie dans des emplacements où la température peut atteindre ou dépasser 50 °C (122 °F).
 7. Ne jetez pas la batterie au feu même si elle est sérieusement endommagée ou complètement épuisée. La batterie peut exploser au contact du feu.
 8. Évitez de clouer, de couper, d'écraser, de lancer ou d'échapper la batterie, ou de heurter un objet dur contre la batterie. Cela peut entraîner un incendie, une chaleur excessive ou une explosion.
 9. N'utilisez pas une batterie si elle est endommagée.
 10. Les batteries lithium-ion fournies sont soumises aux exigences de la législation sur les marchandises dangereuses. Des exigences particulières sur l'emballage et l'étiquetage doivent être respectées lors du transport commercial par des tiers, des transitaires, etc. Pour préparer la marchandise à expédier, consultez un expert en matériaux dangereux si nécessaire. Respectez aussi les éventuelles réglementations nationales plus détaillées. Recouvrez de ruban isolant les contacts exposés, et emballez la batterie de sorte qu'elle ne puisse pas se déplacer à l'intérieur de l'emballage.

CONSERVEZ CES INSTRUCTIONS.

⚠ MISE EN GARDE : NE vous laissez PAS tromper (au fil d'une utilisation répétée) par un sentiment d'aisance ou de familiarité avec le produit en négligeant les consignes de sécurité qui accompagnent le produit. **UNE UTILISATION INCORRECTE** ou le non-respect des règles de sécurité énoncées dans le présent manuel d'instructions peut provoquer des blessures graves.

Symboles

Les symboles utilisés pour l'outil sont indiqués ci-dessous.

V	volts
— — —	courant continu
n_0	vitesse à vide
... /min r /min	tours ou alternances par minute
	nombre de frappes

Consignes de sécurité importantes pour la batterie

1. Avant d'utiliser la batterie, lisez toutes les instructions et les mises en garde apposées sur (1) le chargeur de batterie, (2) la batterie et (3) le produit utilisant la batterie.
2. Ne démontez pas et ne modifiez pas la batterie. Cela peut entraîner un incendie, une chaleur excessive ou une explosion.
3. Si l'outil reste inutilisé pour une période prolongée, la batterie doit en être retirée.
4. Pendant et après l'utilisation, la batterie peut accumuler de la chaleur, ce qui peut causer des brûlures ou des brûlures à basse température. Faites attention lors de la manipulation des batteries chaudes.
5. Ne touchez pas la borne de l'outil immédiatement après l'utilisation, car elle peut être assez chaude pour causer des brûlures.

16. Ne laissez pas les copeaux, les poussières ou la terre se coincer dans les bornes, les trous et les rainures de la batterie. Cela peut entraîner un fonctionnement médiocre ou une panne de l'outil ou de la batterie.
17. À moins que l'outil ne soit compatible avec l'utilisation à proximité des lignes électriques haute tension, n'utilisez pas la batterie à proximité d'une ligne électrique haute tension. Cela peut entraîner un dysfonctionnement ou une panne de l'outil ou de la batterie.
18. Gardez la batterie à l'écart des enfants.
8. N'utilisez pas l'unité sans fil dans un emplacement à température élevée ou un emplacement où de l'électricité statique ou du bruit électrique peuvent être générés.
9. L'unité sans fil peut générer des champs électromagnétiques (CEM), mais ils sont sans danger pour l'utilisateur.
10. L'unité sans fil est un instrument de précision. Évitez d'échapper ou de heurter l'unité sans fil.
11. Évitez de toucher la borne de l'unité sans fil à mains nues ou avec des objets métalliques.
12. Retirez toujours la batterie de l'outil avant d'y installer l'unité sans fil.
13. Lorsque vous ouvrez le couvercle de la fente, évitez de le faire dans un emplacement où la poussière et l'eau peuvent pénétrer dans la fente. Gardez toujours l'entrée de la fente propre.
14. Insérez toujours l'unité sans fil dans le bon sens.
15. N'appuyez pas trop fort sur le bouton d'activation sans fil de l'unité sans fil, et/ou n'appuyez pas sur le bouton avec un objet tranchant.
16. Pendant l'utilisation, fermez toujours le couvercle de la fente.
17. Ne retirez pas l'unité sans fil de la fente pendant que l'outil est alimenté en courant. Cela peut causer un dysfonctionnement de l'unité sans fil.
18. Ne retirez pas l'autocollant sur l'unité sans fil.
19. Ne mettez aucun autocollant sur l'unité sans fil.
20. Ne laissez pas l'unité sans fil dans un emplacement où de l'électricité statique ou du bruit électrique peuvent être générés.
21. Ne laissez pas l'unité sans fil dans un emplacement susceptible de chaleur intense, comme dans une voiture exposée au soleil.
22. Ne laissez pas l'unité sans fil dans un emplacement poussiéreux ou poudreux, ni dans un emplacement où des gaz corrosifs peuvent être générés.
23. Les variations soudaines de température peuvent humecter l'unité sans fil. N'utilisez l'unité sans fil qu'une fois qu'elle est bien sèche.
24. Pour nettoyer l'unité sans fil, essuyez-la doucement avec un linge doux et sec. N'utilisez pas de benzine, diluant, graisse conductrice ou produit similaire.
25. Lorsque vous rangez l'unité sans fil, gardez-la dans le boîtier fourni ou dans un contenant antistatique.
26. N'insérez aucun autre dispositif que l'unité sans fil Makita dans la fente de l'outil.
27. N'utilisez pas l'outil si le couvercle de la fente est endommagé. La pénétration d'eau, de poussières ou de saletés dans la fente peut entraîner un dysfonctionnement.
28. Évitez de tirer et/ou tordre le couvercle de la fente plus que nécessaire. Remettez le couvercle en place s'il se détache de l'outil.
29. Remplacez le couvercle de la fente si vous l'égarez ou s'il est endommagé.

CONSERVEZ CES INSTRUCTIONS.

⚠ATTENTION : Utilisez exclusivement les batteries fabriquées par Makita. Les batteries autres que celles fabriquées par Makita ou les batteries modifiées peuvent exploser et causer un incendie, une blessure ou des dommages. Cela annule aussi la garantie Makita de l'outil et du chargeur Makita.

Conseils pour maintenir la durée de service maximale de la batterie

1. Rechargez la batterie avant qu'elle ne soit complètement déchargée. Arrêtez toujours l'outil et rechargez la batterie quand vous remarquez que la puissance de l'outil diminue.
2. Ne rechargez jamais une batterie complètement chargée. La surcharge réduit la durée de service de la batterie.
3. Chargez la batterie à une température ambiante comprise entre 10 °C et 40 °C (50 °F et 104 °F). Si la batterie est chaude, laissez-la refroidir avant de la charger.
4. Lorsque vous n'utilisez pas la batterie, retirez-la de l'outil ou du chargeur.
5. Chargez la batterie si elle est restée inutilisée pendant une période prolongée (plus de six mois).

Importantes consignes de sécurité pour l'unité sans fil

1. Évitez de démonter ou de modifier l'unité sans fil.
2. Gardez l'unité sans fil hors de la portée des jeunes enfants. En cas d'absorption accidentelle, consultez immédiatement un médecin.
3. N'utilisez l'unité sans fil qu'avec les outils Makita.
4. N'exposez pas l'unité sans fil à la pluie ou à des surfaces mouillées.
5. N'utilisez pas l'unité sans fil dans les emplacements où la température dépasse 50 °C (122 °F).
6. N'utilisez pas l'unité sans fil dans les emplacements où des instruments médicaux, tels que stimulateurs cardiaques, se trouvent à proximité.
7. N'utilisez pas l'unité sans fil dans les emplacements où des dispositifs automatiques se trouvent à proximité. L'utilisation peut provoquer des dysfonctionnements ou des erreurs sur les dispositifs automatiques.
8. N'utilisez pas l'unité sans fil dans un emplacement à température élevée ou un emplacement où de l'électricité statique ou du bruit électrique peuvent être générés.
9. L'unité sans fil peut générer des champs électromagnétiques (CEM), mais ils sont sans danger pour l'utilisateur.
10. L'unité sans fil est un instrument de précision. Évitez d'échapper ou de heurter l'unité sans fil.
11. Évitez de toucher la borne de l'unité sans fil à mains nues ou avec des objets métalliques.
12. Retirez toujours la batterie de l'outil avant d'y installer l'unité sans fil.
13. Lorsque vous ouvrez le couvercle de la fente, évitez de le faire dans un emplacement où la poussière et l'eau peuvent pénétrer dans la fente. Gardez toujours l'entrée de la fente propre.
14. Insérez toujours l'unité sans fil dans le bon sens.
15. N'appuyez pas trop fort sur le bouton d'activation sans fil de l'unité sans fil, et/ou n'appuyez pas sur le bouton avec un objet tranchant.
16. Pendant l'utilisation, fermez toujours le couvercle de la fente.
17. Ne retirez pas l'unité sans fil de la fente pendant que l'outil est alimenté en courant. Cela peut causer un dysfonctionnement de l'unité sans fil.
18. Ne retirez pas l'autocollant sur l'unité sans fil.
19. Ne mettez aucun autocollant sur l'unité sans fil.
20. Ne laissez pas l'unité sans fil dans un emplacement où de l'électricité statique ou du bruit électrique peuvent être générés.
21. Ne laissez pas l'unité sans fil dans un emplacement susceptible de chaleur intense, comme dans une voiture exposée au soleil.
22. Ne laissez pas l'unité sans fil dans un emplacement poussiéreux ou poudreux, ni dans un emplacement où des gaz corrosifs peuvent être générés.
23. Les variations soudaines de température peuvent humecter l'unité sans fil. N'utilisez l'unité sans fil qu'une fois qu'elle est bien sèche.
24. Pour nettoyer l'unité sans fil, essuyez-la doucement avec un linge doux et sec. N'utilisez pas de benzine, diluant, graisse conductrice ou produit similaire.
25. Lorsque vous rangez l'unité sans fil, gardez-la dans le boîtier fourni ou dans un contenant antistatique.
26. N'insérez aucun autre dispositif que l'unité sans fil Makita dans la fente de l'outil.
27. N'utilisez pas l'outil si le couvercle de la fente est endommagé. La pénétration d'eau, de poussières ou de saletés dans la fente peut entraîner un dysfonctionnement.
28. Évitez de tirer et/ou tordre le couvercle de la fente plus que nécessaire. Remettez le couvercle en place s'il se détache de l'outil.
29. Remplacez le couvercle de la fente si vous l'égarez ou s'il est endommagé.

CONSERVEZ CE MODE D'EMPLOI.

DESCRIPTION DU FONCTIONNEMENT

⚠ ATTENTION : Assurez-vous toujours que l'outil est éteint et que sa batterie est retirée avant de l'ajuster ou de vérifier son fonctionnement.

Installation ou retrait de la batterie

⚠ ATTENTION : Éteignez toujours l'outil avant d'installer ou de retirer la batterie.

⚠ ATTENTION : Tenez fermement l'outil et la batterie lors de l'installation ou du retrait de cette dernière. Si l'outil et la batterie ne sont pas tenus fermement, ils risquent de vous glisser des mains et de subir des dommages, ou encore de vous blesser.

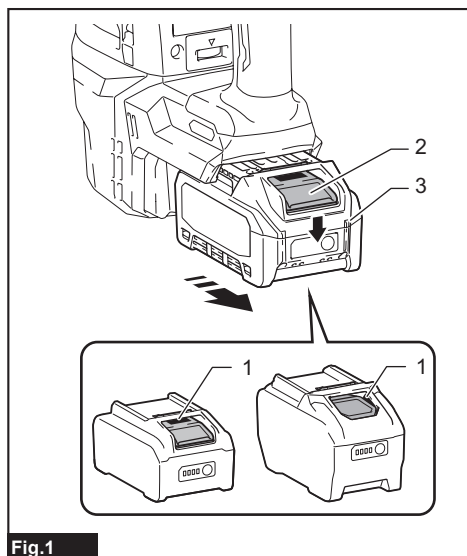


Fig.1

► 1. Indicateur rouge 2. Bouton 3. Batterie

Pour retirer la batterie, faites-la glisser hors de l'outil tout en glissant le bouton qui se trouve à l'avant.

Pour installer la batterie, alignez sa languette sur la rainure pratiquée dans le boîtier et glissez la batterie en place. Insérez-la à fond jusqu'à ce que vous entendiez un léger déclic. Si vous pouvez voir l'indicateur rouge tel qu'illustré sur la figure, cela signifie qu'elle n'est pas complètement verrouillée.

⚠ ATTENTION : Installez toujours la batterie à fond jusqu'à ce que vous ne puissiez plus voir l'indicateur rouge. Autrement elle risque de tomber accidentellement de l'outil et d'entraîner des blessures.

⚠ ATTENTION : Ne forcez pas sur la batterie pour l'installer. Si la batterie ne glisse pas facilement, c'est qu'elle n'est pas insérée correctement.

Affichage de la charge restante de la batterie

Appuyez sur le bouton de vérification de la batterie pour afficher la charge restante de la batterie. Les témoins indicateurs s'allument pendant quelques secondes.

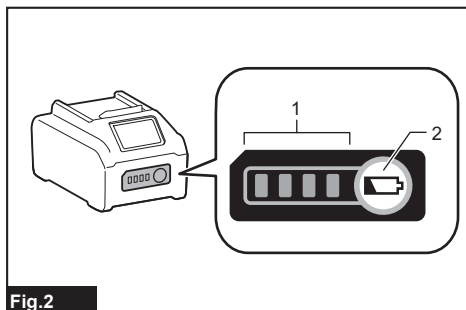


Fig.2

► 1. Témoins indicateurs 2. Bouton de vérification

Témoins indicateurs			Charge restante
Allumé	Éteint	Clignotant	
■ ■ ■ ■	□ □ □ □	◐ ◑	75 % à 100 %
■ ■ ■ □	□ □ □ □	◐ ◑	50 % à 75 %
■ ■ □ □	□ □ □ □	◐ ◑	25 % à 50 %
■ □ □ □	□ □ □ □	◐ ◑	0 % à 25 %
◐ ◑	□ □ □ □	□ □ □ □	Chargez la batterie.
■ ■ □ □	□ □ □ □	◐ ◑	La batterie a peut-être mal fonctionné.
□ □ □ □	■ ■ ■ ■	◐ ◑	

NOTE : Suivant les conditions d'utilisation et la température ambiante, il se peut que l'indication soit légèrement différente de la charge réelle.

NOTE : La première lampe témoin (à l'extrémité gauche) clignote lorsque le dispositif de protection de la batterie s'active.

Dispositif de protection de l'outil et de la batterie

L'outil est équipé d'un système de protection d'outil/batterie. Ce système coupe automatiquement l'alimentation du moteur pour augmenter la durée de vie de l'outil et de la batterie. L'outil s'arrête automatiquement pendant l'utilisation lorsque l'outil ou la batterie est dans l'une des situations suivantes :

Protection contre la surcharge

Lorsque l'outil ou la batterie est utilisé d'une manière entraînant une consommation anormale de courant, l'outil s'arrête automatiquement sans aucune indication. Le cas échéant, éteignez l'outil et cessez l'application qui a causé sa surcharge. Rallumez ensuite l'outil pour redémarrer.

Protection contre la surchauffe

Lorsque l'outil ou la batterie surchauffe, l'outil s'arrête automatiquement et la lampe clignote. Le cas échéant, laissez refroidir l'outil et la batterie avant de rallumer l'outil.

Protection contre la décharge excessive

Lorsque la charge de la batterie est insuffisante, l'outil s'arrête automatiquement. Dans ce cas, retirez la batterie de l'outil et chargez la batterie.

Interrupteur

▲ MISE EN GARDE : Avant d'insérer la batterie dans l'outil, vérifiez toujours que la gâchette fonctionne bien et revient en position d'arrêt lorsque libérée.

▲ ATTENTION : Lorsque vous n'utilisez pas l'outil, enfoncez le bouton de verrouillage de la gâchette du côté **1** pour verrouiller la gâchette sur la position d'arrêt.

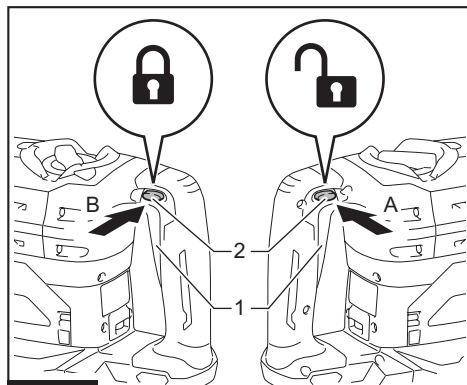


Fig.3
► 1. Gâchette 2. Bouton de verrouillage de la gâchette

L'outil est doté d'un bouton de verrouillage de la gâchette, pour éviter l'activation accidentelle de la gâchette. Pour faire démarrer l'outil, enfoncez le bouton de verrouillage de la gâchette du côté A et appuyez sur la gâchette. Pour l'arrêter, libérez la gâchette. Après l'utilisation, enfoncez le bouton de verrouillage de la gâchette du côté B.

Changement de vitesse

Le nombre de tours et frappes par minute peut être réglé en tournant le cadran de réglage. Le cadran est marqué de 1 (vitesse la plus basse) à 5 (pleine vitesse).

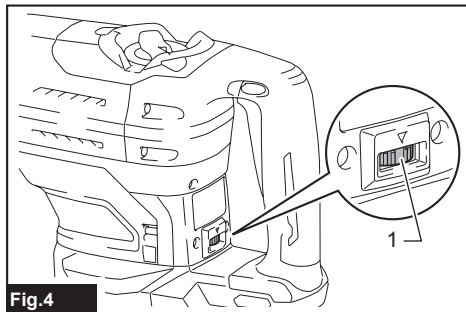


Fig.4

► 1. Cadran de réglage

Reportez-vous au tableau ci-dessous pour la relation entre le numéro indiqué sur le cadran de réglage et le nombre de tours et de frappes par minute.

Numéro	Tours par minute	Frappes par minute
5	500	2900
4	470	2700
3	380	2150
2	290	1650
1	250	1450

▲ ATTENTION : Ne tournez pas le cadran de réglage pendant que l'outil tourne. Autrement, il y a risque de perte de contrôle de l'outil et de blessure.

AVIS : Si l'outil est utilisé de manière continue à vitesse réduite sur une période prolongée, le moteur sera surchargé et cela entraînera un mauvais fonctionnement de l'outil.

AVIS : Le cadran de réglage de la vitesse ne peut pas dépasser le 5 et le 1. Ne le forcez pas à dépasser le 5 ou le 1, sinon la fonction de réglage de la vitesse risque de ne plus fonctionner.

NOTE : Fonction de rotation douce à vide

Lorsque le cadran de réglage de la vitesse est sur « 3 » ou un numéro plus élevé, l'outil réduit automatiquement sa vitesse de fonctionnement à vide pour atténuer les vibrations lorsqu'il tourne à vide.

Une fois le travail commencé avec un embout placé contre le béton, les frappes par minute augmentent et atteignent les nombres indiqués dans le tableau.

Lorsque la température est basse, il se peut que l'outil ne puisse pas utiliser cette fonction même si le moteur tourne.

Allumage de la lampe avant

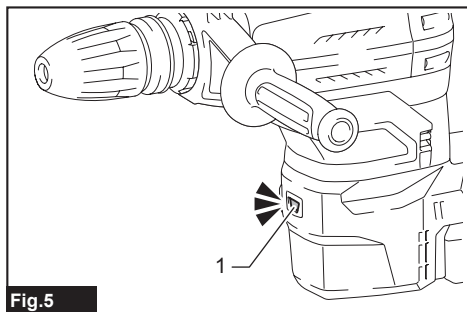


Fig.5

► 1. Lampe

ATTENTION : Évitez de regarder directement le faisceau lumineux ou sa source.

Appuyez sur la gâchette pour allumer la lampe. La lampe reste allumée tant que vous appuyez sur la gâchette. La lampe s'éteint environ 10 secondes après avoir relâché la gâchette.

AVIS : Si la lampe s'éteint après avoir clignoté pendant quelques secondes, cela signifie que la technologie de détection à rétroaction active ne fonctionne pas bien. Demandez à votre centre de service après-vente local Makita de la réparer.


NOTE : Utilisez un linge sec pour enlever les poussières sur la lentille de la lampe. Prenez garde de rayer la lentille de la lampe, car cela peut affecter son intensité d'éclairage.

Sélection du mode de fonctionnement

AVIS : Ne tournez pas le bouton de changement de mode pendant que l'outil tourne. L'outil serait endommagé.

AVIS : Pour éviter que le mécanisme de changement de mode ne s'use rapidement, vous devez toujours vous assurer que le bouton de changement de mode est placé avec exactitude sur une des trois positions de mode.

Rotation avec percussion

Pour percer dans le béton, la maçonnerie, etc., tournez le bouton de changement de mode jusqu'au symbole . Utilisez un embout-mèche à pointe de carbure.

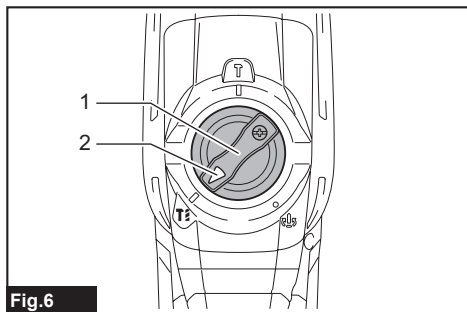



Fig.6

► 1. Bouton de changement de mode 2. Pointeur

Percussion uniquement

Pour le burinage, l'écaillage ou la démolition, tournez le bouton de changement de mode jusqu'au symbole . Utilisez un pic, un ciseau à froid, un ciseau à écailler, etc.

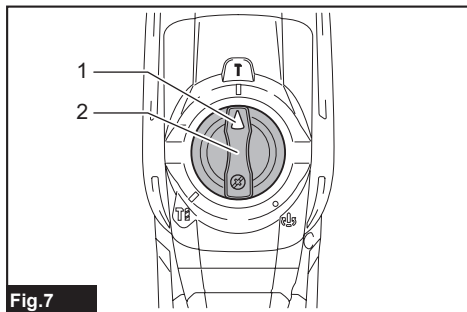


Fig.7

► 1. Pointeur 2. Bouton de changement de mode

Limiteur de couple

AVIS : Mettez l'outil hors tension dès que le limiteur de couple se déclenche. Cela aidera à éviter l'usure trop rapide de l'outil.

AVIS : Cet outil n'est pas conçu pour l'utilisation des embouts-mèches de type scie cloche, car ils ont tendance à se coincer facilement dans le trou pendant le perçage. Cela cause donc le déclenchement trop fréquent du limiteur de couple.

Le limiteur de couple s'active lorsqu'un certain niveau de couple est atteint. L'embrayage se met alors à patiner. Dès que cela se produit, l'embout-mèche arrête de tourner.

Fonctions électroniques

L'outil est doté de fonctions électroniques qui facilitent son utilisation.

Commande de vitesse constante

La fonction de commande de vitesse procure une vitesse de rotation constante, quelle que soit la charge.

Démarrage en douceur

La fonction de démarrage en douceur atténue le choc de démarrage et fait démarrer la machine doucement.

Technologie de détection à rétroaction active

Si le corps de l'outil tourne soudainement à l'accélération spécifiée en raison d'un embout-mèche qui se bloque, etc., le moteur est arrêté de force pour réduire la charge sur le poignet.

NOTE : La fonction de la technologie de détection à rétroaction active ne fonctionne pas si l'accélération n'atteint pas la valeur spécifiée.

NOTE : La fonction de la technologie de détection à rétroaction active s'actionne aussi simplement lorsque l'embout tourne à l'accélération spécifiée lors dans n'importe quelle opération.

Le cas échéant, libérez la gâchette puis appuyez dessus pour redémarrer l'outil.

Frein électrique

Cet outil est muni d'un frein électrique. Si la libération du levier de la gâchette ne permet jamais d'arrêter promptement l'outil, faites-le réparer dans un centre de service après-vente Makita.

ASSEMBLAGE

ATTENTION : Assurez-vous toujours que l'outil est éteint et que sa batterie est retirée avant d'effectuer tout travail dessus.

Manche latéral

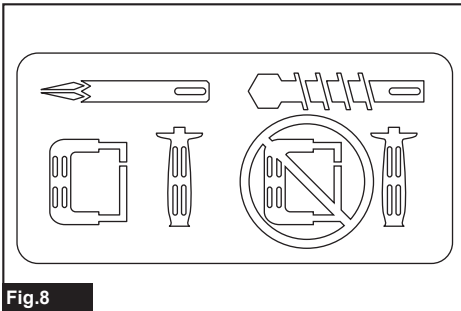


Fig.8

ATTENTION : N'utilisez le manche latéral que lors du burinage, de l'écaillage ou de la démolition. Ne l'utilisez pas pour percer dans le béton, la maçonnerie, etc. L'outil ne peut pas être tenu correctement avec ce manche latéral lors du perçage.

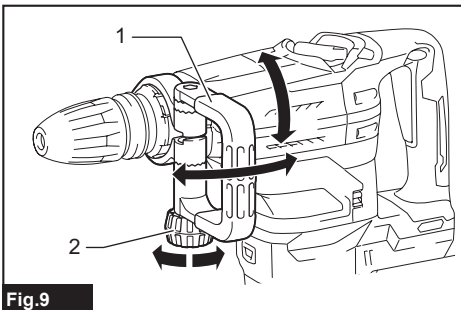


Fig.9

► 1. Manche latéral 2. Écrou de serrage

Le manche latéral peut être pivoté verticalement et fixé sur toute position désirée. Il est aussi possible de le régler sur huit niveaux, vers l'avant et l'arrière, sur le plan horizontal. Desserrez l'écrou de serrage pour faire pivoter le manche latéral sur la position désirée, puis serrez fermement l'écrou de serrage.

Poignée latérale (poignée auxiliaire)

ATTENTION : Utilisez toujours la poignée latérale pour assurer l'utilisation sécuritaire.

ATTENTION : Après avoir posé ou ajusté la poignée latérale, assurez-vous que la poignée latérale est fermement fixée.

Il est possible de faire pivoter la poignée latérale, ce qui permet de manipuler l'outil facilement dans n'importe quelle position. Desserrez la poignée latérale en tournant dans le sens contraire des aiguilles d'une montre, faites-la pivoter sur la position désirée, puis serrez-la en la tournant dans le sens des aiguilles d'une montre.

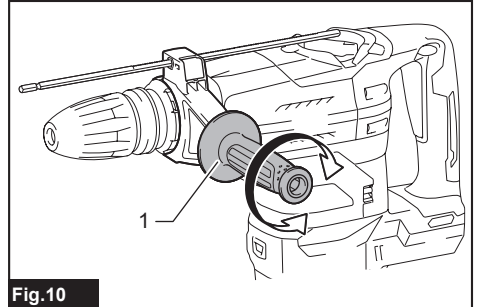


Fig.10

► 1. Poignée latérale

Pose ou retrait de l'embout-mèche

Graisse

Nettoyez la queue de l'embout et appliquez de la graisse avant de l'installer.

Graissez à l'avance la queue de l'embout avec une petite quantité de graisse (environ 0,5 à 1 g). La lubrification du mandrin assurera un mouvement en douceur et une plus longue durée de service.

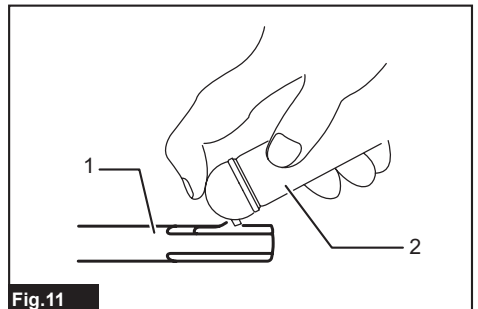


Fig.11

► 1. Queue 2. Graisse

Insérez l'embout-mèche dans l'outil. Tournez l'embout-mèche et enfoncez-le jusqu'à ce qu'il s'engage. Après avoir installé l'embout-mèche, assurez-vous toujours qu'il est fermement fixé en tirant dessus.

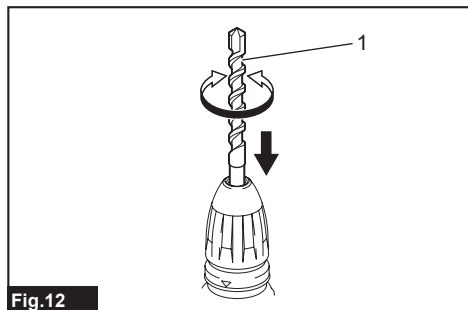


Fig.12

► 1. Embout-mèche

Pour retirer l'embout-mèche, tirez le couvercle du mandrin complètement vers le bas, et tirez sur l'embout-mèche.

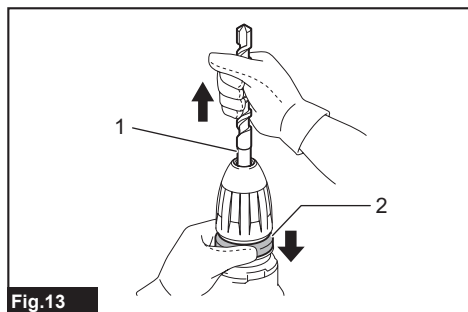
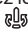


Fig.13

► 1. Embout-mèche 2. Couvercle du mandrin

Angle du ciseau (pour le burinage, l'écaillage ou la démolition)

Vous pouvez fixer le ciseau sur l'angle désiré. Pour modifier l'angle du ciseau, tournez le bouton de changement de mode jusqu'au symbole . Tournez le ciseau jusqu'à l'angle désiré.

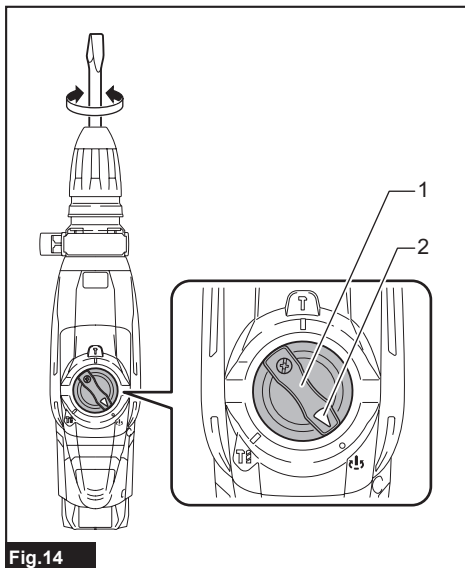
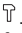


Fig.14

► 1. Bouton de changement de mode 2. Pointeur

Tournez le bouton de changement de mode jusqu'au symbole . Assurez-vous ensuite que le ciseau demeure fermement en place, en essayant de le faire tourner légèrement.

Jauge de profondeur

La jauge de profondeur est utile pour percer des trous de même profondeur.

En maintenant le bouton de verrouillage enfoncé, insérez la jauge de profondeur dans l'orifice hexagonal.

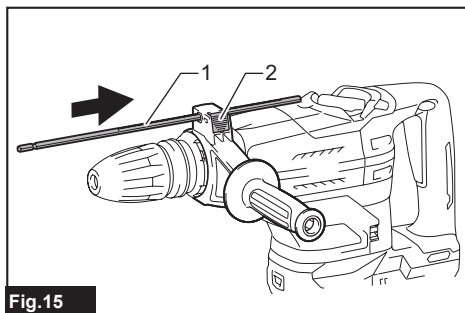


Fig.15

► 1. Jauge de profondeur 2. Bouton de verrouillage

Assurez-vous que le côté dentelé de la jauge de profondeur fait face à la marque.

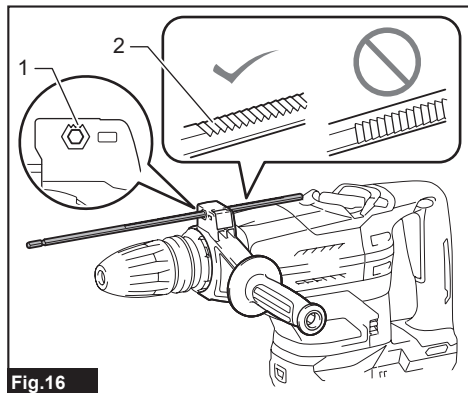


Fig. 16

► 1. Marque 2. Côté dentelé

Réglez la jauge de profondeur en la déplaçant vers l'avant et l'arrière tout en appuyant sur le bouton de verrouillage. Après le réglage, libérez le bouton de verrouillage pour verrouiller la jauge de profondeur.

NOTE : En fixant la jauge de profondeur, assurez-vous qu'elle ne touche pas le corps principal de l'outil.

Fixation d'extracteur de poussières

Accessoire en option

Pose de la fixation d'extracteur de poussières

1. Desserrez la poignée latérale sur l'outil.
2. Posez le cache antipoussières de sorte que ses griffes pénètrent dans les rainures entre l'outil et la poignée latérale.

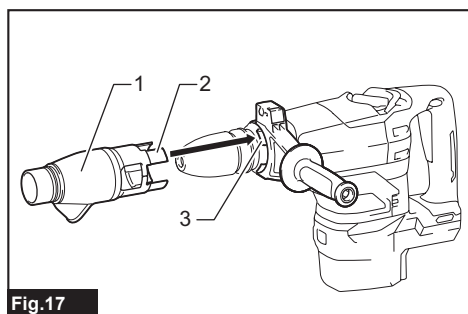


Fig. 17

► 1. Cache antipoussières 2. Griffes 3. Rainure

3. Serrez fermement la poignée latérale.

4. Posez le soufflet ou la rallonge de cache anti-poussières, selon ce qui convient au travail à effectuer. Lorsque vous utilisez un soufflet, fixez le raccord sur son dessus. Lorsque vous employez deux soufflets, connectez-les avec le raccord.

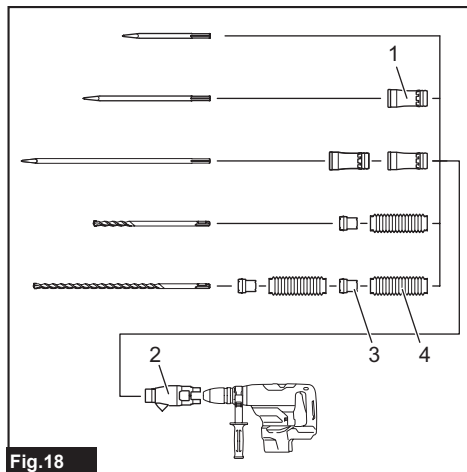


Fig. 18

► 1. Rallonge de cache antipoussières 2. Cache antipoussières 3. Raccord 4. Soufflet

Raccordement de l'outil à l'aspirateur

1. Fixez le raccord de support à l'outil, puis fixez le support de tuyau au raccord de support.

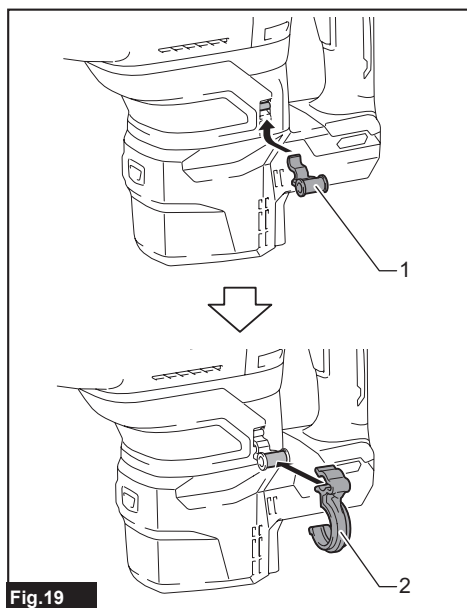


Fig. 19

► 1. Raccord de support 2. Support de tuyau

NOTE : Le raccord de tuyau peut être fixé d'un côté comme de l'autre de l'outil.

⚠ MISE EN GARDE : N'utilisez la pièce de montage de l'outil que pour fixer le raccord de support.

Utiliser la pièce de montage à toute autre fin peut entraîner un accident imprévu.

2. Fixez le tuyau au support de tuyau.

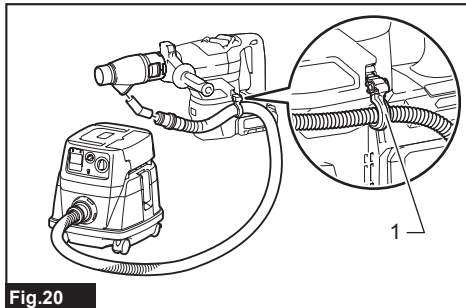


Fig.20

- 1. Support de tuyau

NOTE : Utilisez le raccord 25 pour connecter le tuyau et le cache antipoussières, si nécessaire.

Utilisation de la jauge de profondeur pour le perçage

Lorsque vous empilez deux soufflets, fixez la rallonge de jauge de profondeur à la jauge de profondeur.

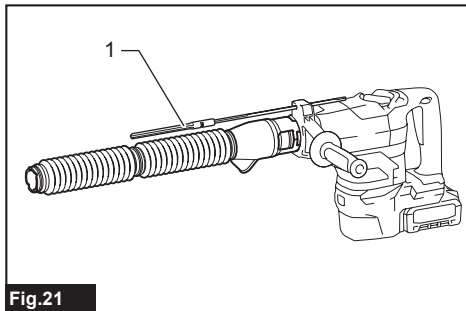


Fig.21

- 1. Rallonge de jauge de profondeur

Fixation d'extracteur de poussières (pour martelage uniquement)

Accessoire en option

1. Installez le support de tuyau (A/B).

Si le manche latéral est posé sur l'outil, desserrez l'écrou de serrage puis retirez le boulon hexagonal. Posez le support de tuyau (A) entre le boulon hexagonal et l'écrou de serrage, en serrant ce dernier fermement.

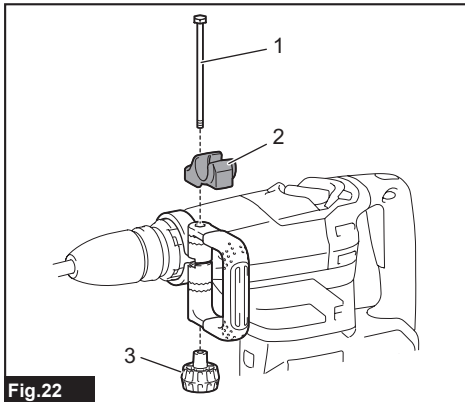


Fig.22

- 1. Boulon hexagonal 2. Support de tuyau (A)
3. Écrou de serrage

Si le manche latéral est installé sur l'outil, desserrez-le, montez le support de tuyau (B) sur l'arbre, puis serrez le manche latéral fermement.

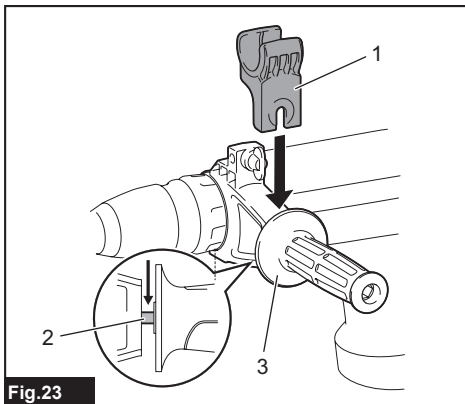


Fig.23

- 1. Support de tuyau (B) 2. Arbre 3. Manche latéral

2. Fixez le raccord de support à l'outil, puis fixez le support de tuyau (C) au raccord de support.

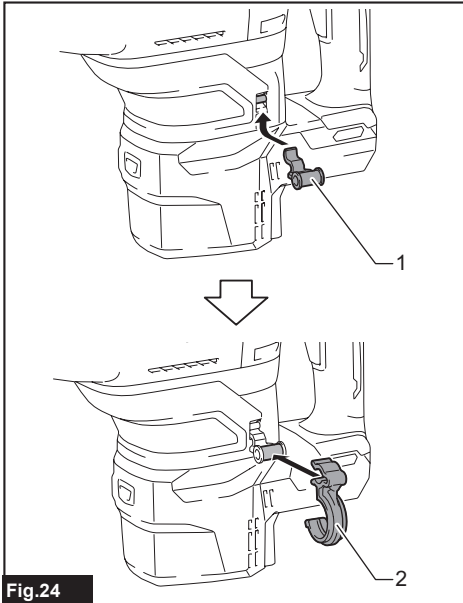


Fig.24

- 1. Raccord de support 2. Support de tuyau (C)

NOTE : Le raccord de tuyau peut être fixé d'un côté comme de l'autre de l'outil.

⚠ MISE EN GARDE : N'utilisez la pièce de montage de l'outil que pour fixer le raccord de support.

Utiliser la pièce de montage à toute autre fin peut entraîner un accident imprévu.

3. Fixez le cache antipoussières et le tuyau à l'outil, puis fixez le tuyau aux supports de tuyau.

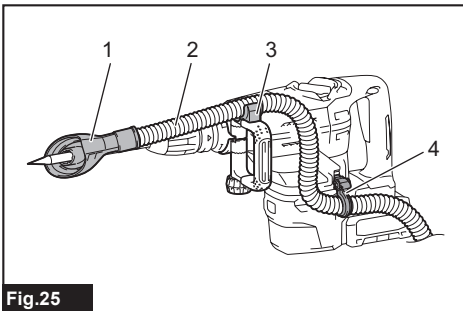


Fig.25

- 1. Cache antipoussières 2. Tuyau 3. Support de tuyau (A/B) 4. Support de tuyau (C)

4. Connectez le tuyau au tuyau de l'aspirateur avec le raccord de tuyau.

NOTE : Si le tuyau n'est pas fourni, fixez le cache antipoussières au joint de l'aspirateur ou fixez-le au tuyau Makita de $\varnothing 28$.

5. Ajustez la distance entre le cache antipoussières et la pointe du ciseau ou du pic. La distance recommandée est de 30 mm (1-3/16") à 100 mm (3-15/16").

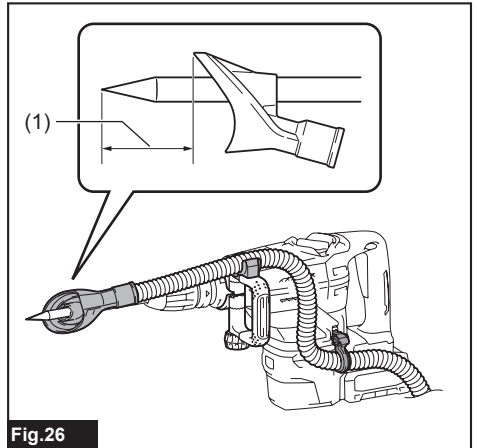


Fig.26

- (1) 30 mm (1-3/16") à 100 mm (3-15/16")

UTILISATION

⚠ ATTENTION : En tout temps, utilisez la poignée latérale ou le manche latéral (poignée auxiliaire) et tenez fermement l'outil à la fois par la poignée latérale ou le manche latéral et par la poignée à interrupteur pendant l'exécution des travaux.

⚠ ATTENTION : Avant l'exécution du travail, assurez-vous toujours que la pièce est fixée. Si la pièce n'est pas bien fixée, elle risque de se déplacer et d'entraîner une blessure.

⚠ ATTENTION : Ne retirez pas l'outil par la force même si l'embout se coince. Une perte de contrôle peut causer une blessure.

⚠ ATTENTION : Ne laissez pas l'outil engagé dans la pièce. Autrement, l'outil risque de démarrer accidentellement et de causer une blessure.

NOTE : Si la température de la batterie est basse, il se peut que l'outil ne puisse pas fonctionner à pleine capacité. Dans ce cas, réchauffez la batterie en faisant tourner l'outil à vide un moment pour qu'il puisse fonctionner à pleine capacité.

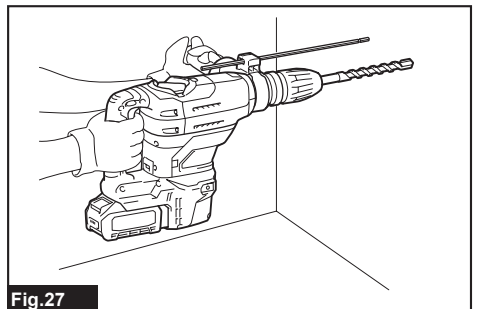



Fig.27

Perçage avec percussion

ATTENTION : Une force de torsion énorme et soudaine s'exerce sur l'outil et l'embout-mèche lors du perçage du trou, lorsque ce dernier est bouché par des copeaux et particules ou lors du contact avec les armatures d'une structure en béton. **En tout temps, utilisez la poignée latérale (poignée auxiliaire) et tenez fermement l'outil par la poignée latérale et la poignée à interrupteur pendant l'exécution des travaux.** Autrement vous risquez de perdre le contrôle de l'outil et courez un risque de blessure grave.


Mettez le bouton de changement de mode sur le symbole .

Placez l'embout-mèche à l'emplacement où vous souhaitez faire le trou, puis appuyez sur la gâchette. N'appliquez pas une force excessive sur l'outil. Vous obtiendrez de meilleurs résultats en exerçant une légère pression. Maintenez l'outil en position et évitez qu'il ne glisse à l'extérieur du trou.

N'appliquez pas davantage de pression lorsque le trou est bouché par les copeaux et particules. Faites plutôt tourner l'outil au ralenti, puis retirez partiellement l'embout-mèche du trou. En répétant cette opération quelques fois, le trou se débouchera et vous pourrez poursuivre le perçage normalement.

NOTE : Lorsque l'outil tourne à vide, il se peut que l'embout-mèche tourne de manière excentrique. L'outil se centrera lui-même lors de l'utilisation avec charge. La précision du perçage n'est donc pas affectée.

Burinage/Écaillage/Démolition

Mettez le bouton de changement de mode sur le symbole .

Tenez l'outil fermement à deux mains. Mettez le contact et appliquez une légère pression sur l'outil de façon à en garder la maîtrise et à éviter qu'il ne saute d'un côté ou de l'autre.

L'application d'une très grande pression sur l'outil n'augmentera pas l'efficacité de l'opération.

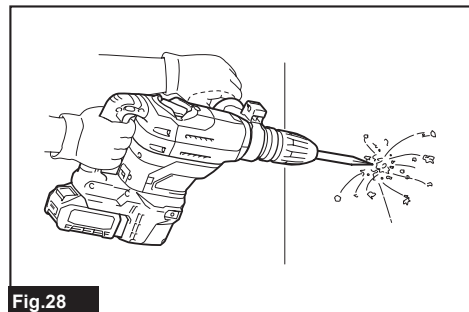


Fig.28

Poire soufflante

Accessoire en option

Après avoir percé le trou, utilisez la poire soufflante pour enlever la poussière du trou.

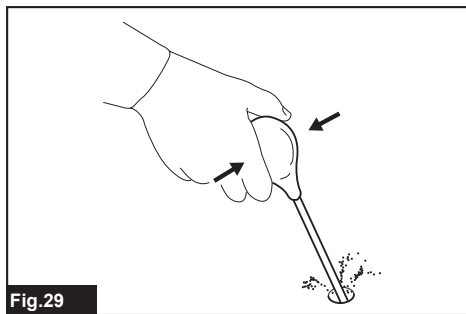


Fig.29

FONCTION D'ACTIVATION SANS FIL

Accessoire en option

Ce que vous pouvez faire avec la fonction d'activation sans fil

La fonction d'activation sans fil permet une utilisation propre et confortable. En raccordant un aspirateur compatible à l'outil, vous pouvez activer l'aspirateur automatiquement lorsque vous utilisez l'interrupteur de l'outil.

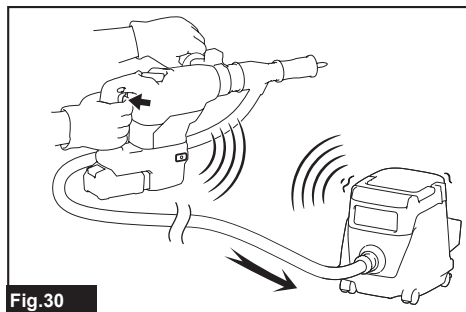


Fig.30

Pour utiliser la fonction d'activation sans fil, préparez les éléments suivants :

- Une unité sans fil (accessoire en option)
- Un aspirateur compatible avec la fonction d'activation sans fil

Le réglage de la fonction d'activation sans fil est résumé ci-dessous. Pour les procédures détaillées, reportez-vous à chacune des sections.

1. Installer l'unité sans fil
2. Enregistrement d'outil pour l'aspirateur
3. Démarrer la fonction d'activation sans fil

Installer l'unité sans fil

Accessoire en option

ATTENTION : Mettez l'outil sur une surface plane et stable lorsque vous installez l'unité sans fil.

AVIS : Avant d'installer l'unité sans fil, enlevez les poussières et saletés sur l'outil. Les poussières ou saletés peuvent causer un dysfonctionnement si elles pénètrent dans la fente de l'unité sans fil.

AVIS : Pour éviter que l'électricité statique ne cause un dysfonctionnement, ne prenez l'unité sans fil qu'après avoir touché un objet qui éliminera l'électricité statique, par exemple, une partie métallique de l'outil.

AVIS : Lorsque vous installez l'unité sans fil, assurez-vous toujours qu'elle est insérée dans le bon sens et que le couvercle est complètement fermé.

1. Ouvrez le couvercle sur l'outil, tel qu'indiqué sur la figure.

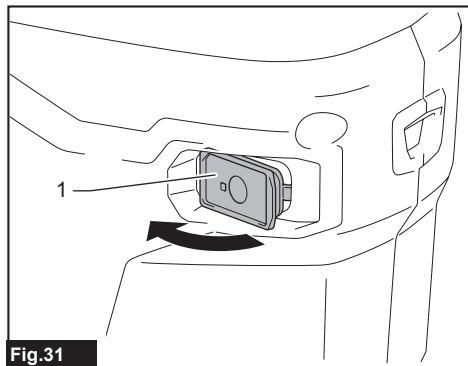


Fig.31

1. Couvercle

2. Insérez l'unité sans fil dans la fente, puis fermez le couvercle. Lors de l'insertion de l'unité sans fil, alignez les parties saillantes sur les parties creuses de la fente.

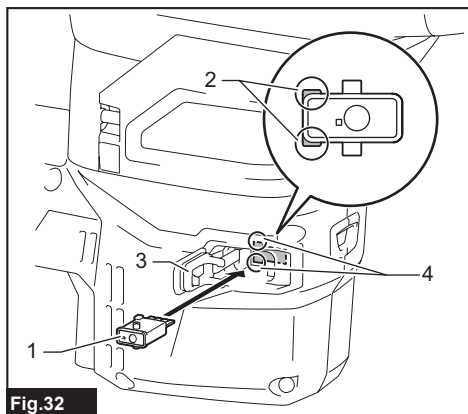


Fig.32

1. Unité sans fil 2. Partie saillante 3. Couvercle 4. Partie creuse

Lorsque vous retirez l'unité sans fil, ouvrez lentement le couvercle. Les crochets à l'arrière du couvercle soulèveront l'unité sans fil à mesure que vous tirerez le couvercle vers le haut.

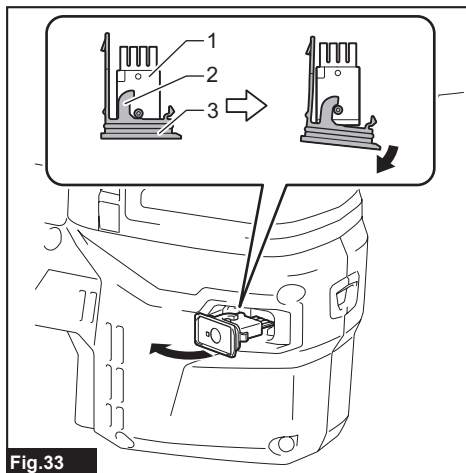


Fig.33

1. Unité sans fil 2. Crochet 3. Couvercle

Après avoir retiré l'unité sans fil, gardez-la dans le boîtier fourni ou dans un contenant antistatique.

AVIS : Utilisez toujours les crochets à l'arrière du couvercle lorsque vous retirez l'unité sans fil. Si les crochets ne saisissent pas l'unité sans fil, fermez complètement le couvercle et rouvrez-le lentement.

Enregistrement d'outil pour l'aspirateur

NOTE : Un aspirateur Makita compatible avec la fonction d'activation sans fil est nécessaire pour l'enregistrement d'outil.

NOTE : Terminez l'installation de l'unité sans fil sur l'outil avant de commencer l'enregistrement d'outil.

NOTE : Pendant l'enregistrement d'outil, n'appuyez pas sur la gâchette et ne mettez pas l'interrupteur d'alimentation en position de marche sur l'aspirateur.

NOTE : Reportez-vous également au manuel d'instructions de l'aspirateur.

Terminez l'enregistrement d'outil à l'avance, si vous souhaitez que l'aspirateur soit activé lors de l'utilisation de l'interrupteur de l'outil.

1. Installez les batteries dans l'aspirateur et l'outil.

2. Mettez l'interrupteur d'attente de l'aspirateur sur « AUTO ».

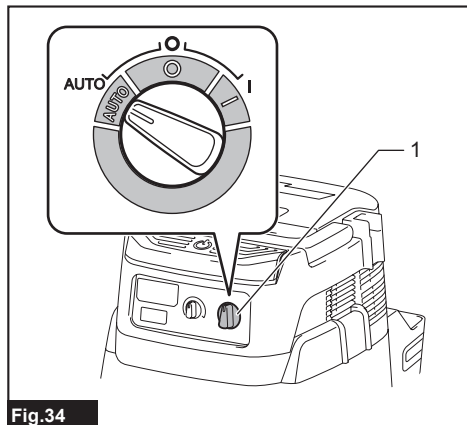


Fig.34

- 1. Interrupteur d'attente

3. Appuyez pendant 3 secondes sur le bouton d'activation sans fil sur l'aspirateur, jusqu'à ce que le témoin d'activation sans fil clignote en vert. Appuyez ensuite de la même manière sur le bouton d'activation sans fil sur l'outil.

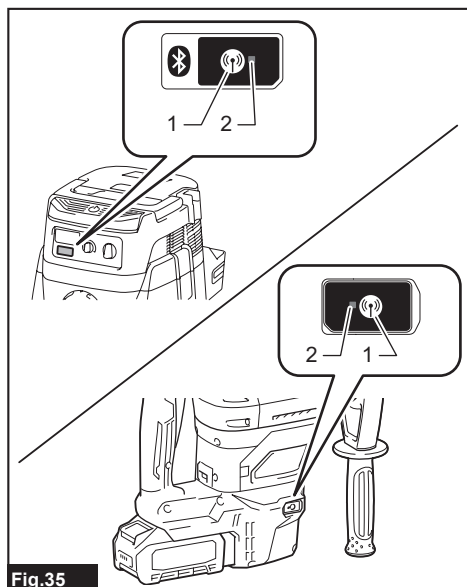


Fig.35

- 1. Bouton d'activation sans fil 2. Témoin d'activation sans fil

Si la liaison s'établit entre l'aspirateur et l'outil, les témoins d'activation sans fil s'allumeront en vert pendant 2 secondes puis se mettront à clignoter en bleu.

NOTE : Les témoins d'activation sans fil cessent de clignoter en vert au bout de 20 secondes. Appuyez sur le bouton d'activation sans fil sur l'outil pendant que le témoin d'activation sans fil clignote sur l'aspirateur. Si le témoin d'activation sans fil ne clignote pas en vert, appuyez un court instant sur le bouton d'activation sans fil et maintenez-le enfoncé encore une fois.

NOTE : Lorsque vous effectuez deux enregistrements d'outil ou plus pour un aspirateur, achevez les enregistrements d'outil un à la fois.

Démarrer la fonction d'activation sans fil

NOTE : Terminez l'enregistrement d'outil pour l'aspirateur avant d'effectuer l'activation sans fil.

NOTE : Reportez-vous également au manuel d'instructions de l'aspirateur.

Après l'enregistrement d'un outil sur l'aspirateur, ce dernier s'activera automatiquement lors de l'utilisation de l'interrupteur de l'outil.

1. Installez l'unité sans fil sur l'outil.
2. Raccordez le tuyau de l'aspirateur à l'outil.

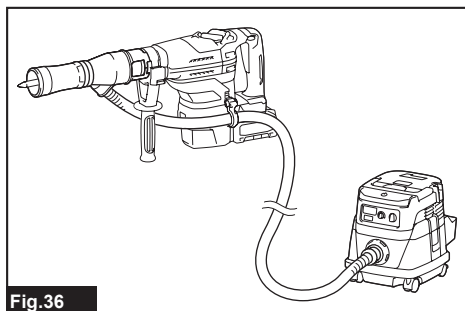


Fig.36

3. Mettez l'interrupteur d'attente de l'aspirateur sur « AUTO ».

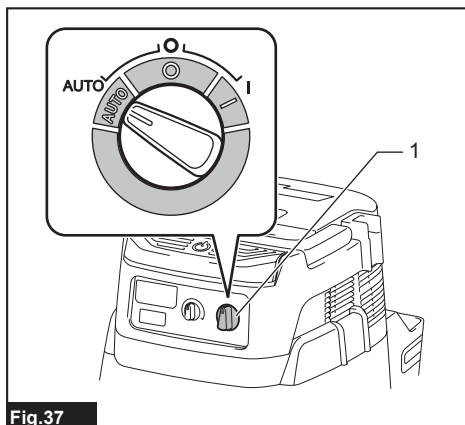


Fig.37

- 1. Interrupteur d'attente

4. Appuyez un court instant sur le bouton d'activation sans fil sur l'outil. Le témoin d'activation sans fil clignotera en bleu.

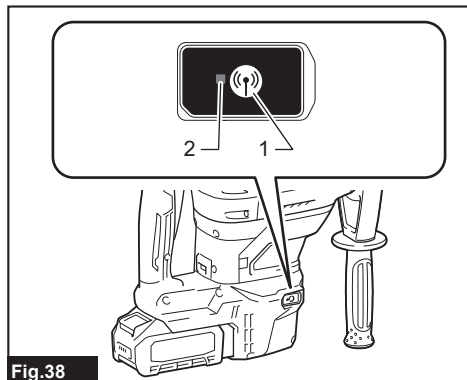


Fig.38

► 1. Bouton d'activation sans fil 2. Témoin d'activation sans fil

5. Appuyez sur la gâchette de l'outil. Vérifiez si l'aspirateur fonctionne pendant que vous appuyez sur la gâchette.

Pour arrêter l'activation sans fil de l'aspirateur, appuyez sur le bouton d'activation sans fil sur l'outil.

NOTE : Le témoin d'activation sans fil cessera de clignoter en bleu sur l'outil après 2 heures de non-utilisation. Dans ce cas, mettez l'interrupteur d'attente de l'aspirateur sur « AUTO », et appuyez encore une fois sur le bouton d'activation sans fil sur l'outil.

NOTE : L'aspirateur démarre ou s'arrête avec un retard. Il y a un certain délai lorsque l'aspirateur détecte une utilisation de l'interrupteur de l'outil.

NOTE : La distance de transmission de l'unité sans fil peut varier suivant le lieu et les conditions environnementales.

NOTE : Lorsque deux outils ou plus sont enregistrés sur un aspirateur, celui-ci peut démarrer même si vous n'appuyez pas sur la gâchette, si un autre utilisateur utilise la fonction d'activation sans fil.

Description de l'état du témoin d'activation sans fil

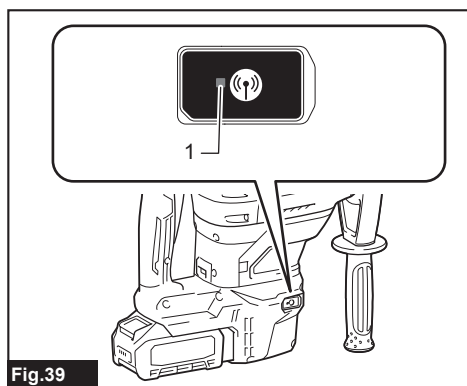


Fig.39

► 1. Témoin d'activation sans fil

Le témoin d'activation sans fil indique l'état de la fonction d'activation sans fil. Reportez-vous au tableau suivant pour connaître la signification de l'état du témoin.

État	Témoin d'activation sans fil			Durée	Description
	Couleur	<input type="checkbox"/> Allumé	<input type="checkbox"/> Clignotant		
Attente	Bleu	<input checked="" type="checkbox"/>	<input type="checkbox"/>	2 heures	L'activation sans fil de l'aspirateur est disponible. Le témoin s'éteindra automatiquement après 2 heures de non-utilisation.
		<input type="checkbox"/>	<input type="checkbox"/>	Lorsque l'outil est en marche.	L'activation sans fil de l'aspirateur est disponible et l'outil est en marche.
Enregistrement d'outil	Vert	<input checked="" type="checkbox"/>	<input type="checkbox"/>	20 secondes	Prêt pour l'enregistrement d'outil. Attente de l'enregistrement par l'aspirateur.
		<input type="checkbox"/>	<input type="checkbox"/>	2 secondes	L'enregistrement d'outil est terminé. Le témoin d'activation sans fil se mettra à clignoter en bleu.
Annuler l'enregistrement d'outil	Rouge	<input checked="" type="checkbox"/>	<input type="checkbox"/>	20 secondes	Prêt pour l'annulation de l'enregistrement d'outil. Attente de l'annulation par l'aspirateur.
		<input type="checkbox"/>	<input type="checkbox"/>	2 secondes	L'annulation de l'enregistrement d'outil est terminée. Le témoin d'activation sans fil se mettra à clignoter en bleu.
Autres	Rouge	<input type="checkbox"/>	<input type="checkbox"/>	3 secondes	L'alimentation est fournie à l'unité sans fil et la fonction d'activation sans fil démarre.
	Éteint	-	-	-	L'activation sans fil de l'aspirateur s'arrête.

Annuler l'enregistrement d'outil pour l'aspirateur

Procédez comme suit pour annuler l'enregistrement d'outil pour l'aspirateur.

1. Installez les batteries dans l'aspirateur et l'outil.
2. Mettez l'interrupteur d'attente de l'aspirateur sur « AUTO ».

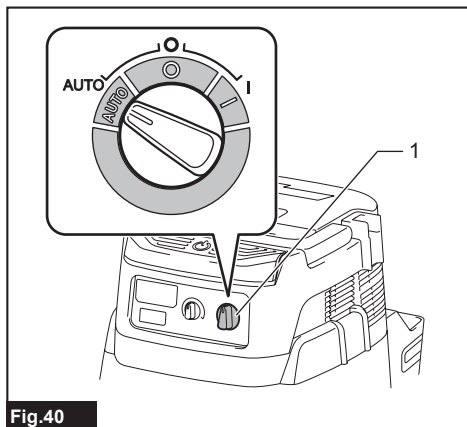


Fig.40

- 1. Interrupteur d'attente

3. Appuyez sur le bouton d'activation sans fil sur l'aspirateur pendant 6 secondes. Le témoin d'activation sans fil clignote en vert puis devient rouge. Après cela, appuyez de la même manière sur le bouton d'activation sans fil sur l'outil.

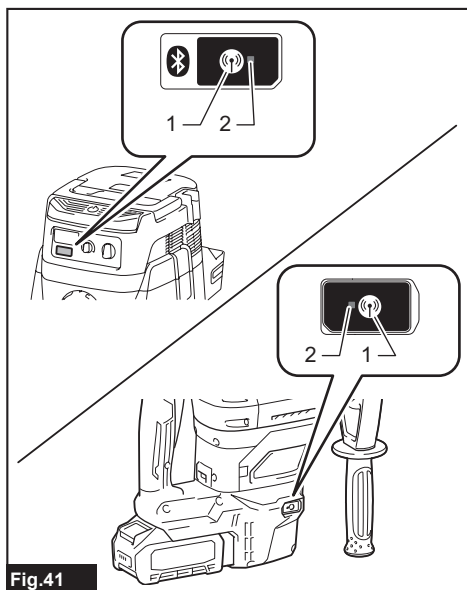


Fig.41

- 1. Bouton d'activation sans fil 2. Témoin d'activation sans fil

Si l'annulation réussit, les témoins d'activation sans fil s'allument en rouge pendant 2 secondes puis se mettent à clignoter en bleu.

NOTE : Les témoins d'activation sans fil cessent de clignoter en rouge au bout de 20 secondes. Appuyez sur le bouton d'activation sans fil sur l'outil pendant que le témoin d'activation sans fil clignote sur l'aspirateur. Si le témoin d'activation sans fil ne clignote pas en rouge, appuyez un court instant sur le bouton d'activation sans fil et maintenez-le enfoncé encore une fois.

Dépannage de la fonction d'activation sans fil

Avant de faire une demande de réparation, faites d'abord votre propre inspection. Si vous rencontrez un problème non indiqué dans ce manuel, n'essayez pas de démonter l'outil. Demandez plutôt à un centre de service après-vente Makita agréé de faire la réparation avec des pièces de rechange Makita.

État anormal	Cause probable (dysfonctionnement)	Solution
Le témoin d'activation sans fil ne s'allume pas ou ne clignote pas.	L'unité sans fil n'est pas installée dans l'outil. L'unité sans fil n'est pas bien installée dans l'outil.	Installez l'unité sans fil correctement.
	La borne de l'unité sans fil et/ou la fente est sale.	Essayez doucement les poussières et saletés sur la borne de l'unité sans fil, et nettoyez la fente.
	Vous n'avez pas appuyé sur le bouton d'activation sans fil sur l'outil.	Appuyez un court instant sur le bouton d'activation sans fil sur l'outil.
	L'interrupteur d'attente de l'aspirateur n'est pas sur « AUTO ».	Mettez l'interrupteur d'attente de l'aspirateur sur « AUTO ».
	Pas d'alimentation	Fournissez une source d'alimentation à l'outil et à l'aspirateur.
L'enregistrement d'outil ou l'annulation de l'enregistrement d'outil échoue.	L'unité sans fil n'est pas installée dans l'outil. L'unité sans fil n'est pas bien installée dans l'outil.	Installez l'unité sans fil correctement.
	La borne de l'unité sans fil et/ou la fente est sale.	Essayez doucement les poussières et saletés sur la borne de l'unité sans fil, et nettoyez la fente.
	L'interrupteur d'attente de l'aspirateur n'est pas sur « AUTO ».	Mettez l'interrupteur d'attente de l'aspirateur sur « AUTO ».
	Pas d'alimentation	Fournissez une source d'alimentation à l'outil et à l'aspirateur.
	Utilisation incorrecte	Appuyez un court instant sur le bouton d'activation sans fil et reprenez la procédure d'enregistrement/annulation d'outil.
	L'outil et l'aspirateur sont trop éloignés l'un de l'autre (hors de portée de transmission).	Rapprochez l'outil et l'aspirateur l'un de l'autre. La distance maximale de transmission est d'environ 10 m, mais elle peut varier selon les circonstances.
	Avant de terminer l'enregistrement ou l'annulation de l'outil : - la gâchette est enfoncée sur l'outil ou; - le bouton d'alimentation de l'aspirateur est en position de marche.	Appuyez un court instant sur le bouton d'activation sans fil et reprenez la procédure d'enregistrement/annulation d'outil.
	Les procédures d'enregistrement d'outil n'ont pas été achevées pour l'outil ou pour l'aspirateur.	Effectuez l'enregistrement d'outil pour l'outil et pour l'aspirateur au même moment.
	Perturbation radioélectrique par d'autres appareils qui génèrent des ondes radio de forte intensité.	Gardez l'outil et l'aspirateur à l'écart des appareils tels que dispositifs Wi-Fi et fours à micro-ondes.
L'aspirateur n'est pas activé par l'utilisation de l'interrupteur de l'outil.	L'unité sans fil n'est pas installée dans l'outil. L'unité sans fil n'est pas bien installée dans l'outil.	Installez l'unité sans fil correctement.
	La borne de l'unité sans fil et/ou la fente est sale.	Essayez doucement les poussières et saletés sur la borne de l'unité sans fil, et nettoyez la fente.
	Vous n'avez pas appuyé sur le bouton d'activation sans fil sur l'outil.	Appuyez un court instant sur le bouton d'activation sans fil et assurez-vous que le témoin d'activation sans fil clignote en bleu.
	L'interrupteur d'attente de l'aspirateur n'est pas sur « AUTO ».	Mettez l'interrupteur d'attente de l'aspirateur sur « AUTO ».
	Plus de 10 outils sont enregistrés sur l'aspirateur.	Reprenez l'enregistrement d'outil. Si plus de 10 outils sont enregistrés sur l'aspirateur, l'outil enregistré le plus tôt sera automatiquement annulé.
	L'aspirateur a effacé tous les enregistrements d'outil.	Reprenez l'enregistrement d'outil.
	Pas d'alimentation	Fournissez une source d'alimentation à l'outil et à l'aspirateur.
	L'outil et l'aspirateur sont trop éloignés l'un de l'autre (hors de portée de transmission).	Rapprochez l'outil et l'aspirateur l'un de l'autre. La distance maximale de transmission est d'environ 10 m, mais elle peut varier selon les circonstances.
	Perturbation radioélectrique par d'autres appareils qui génèrent des ondes radio de forte intensité.	Gardez l'outil et l'aspirateur à l'écart des appareils tels que dispositifs Wi-Fi et fours à micro-ondes.
L'aspirateur se met en marche alors que la gâchette de l'outil n'est pas enfoncée.	D'autres utilisateurs utilisent l'activation sans fil de l'aspirateur avec leurs outils.	Mettez le bouton d'activation sans fil en position d'arrêt sur les autres outils, ou annulez l'enregistrement d'outil des autres outils.

ENTRETIEN

⚠ ATTENTION : Assurez-vous toujours que l'outil est hors tension et que la batterie est retirée avant d'y effectuer tout travail d'inspection ou d'entretien.

AVIS : N'utilisez jamais d'essence, de benzine, de solvant, d'alcool ou autres produits similaires. Une décoloration, une déformation ou la formation de fissures peuvent en découler.

Pour maintenir la SÉCURITÉ et la FIABILITÉ du produit, les réparations et tout autre travail d'entretien ou de réglage doivent être effectués dans un centre de service après-vente autorisé ou une usine Makita, exclusivement avec des pièces de rechange Makita.

ACCESSOIRES EN OPTION

⚠ ATTENTION : Ces accessoires ou pièces complémentaires sont recommandés pour l'utilisation avec l'outil Makita spécifié dans ce manuel. L'utilisation de tout autre accessoire ou pièce complémentaire peut comporter un risque de blessure. N'utilisez les accessoires ou pièces complémentaires qu'aux fins auxquelles ils ont été conçus.

Si vous désirez obtenir plus de détails sur ces accessoires, veuillez contacter le centre de service après-vente Makita le plus près.

- Embouts-mèches à pointe de carbure SDS-MAX
- Pic SDS-MAX
- Ciseau à froid SDS-MAX
- Ciseau à écailler SDS-MAX
- Marteau-bêche SDS-MAX
- Graisse pour embout
- Manche latéral
- Poignée latérale
- Jauge de profondeur
- Poire soufflante
- Fixation d'extracteur de poussières
- Lunettes de sécurité
- Unité sans fil
- Chargeur et batterie authentiques Makita
- Mallette de transport en plastique

NOTE : Certains éléments de la liste peuvent être inclus avec l'outil comme accessoires standards. Ils peuvent varier suivant les pays.

GARANTIE LIMITÉE MAKITA

Pour les conditions de garantie en vigueur qui s'appliquent à ce produit, veuillez vous reporter à la feuille de garantie en annexe. Si la feuille de garantie en annexe n'est pas disponible, reportez-vous aux détails de la garantie présentés sur le site Web de votre pays, ci-dessous.

États-Unis d'Amérique: www.makitatools.com

Canada: www.makita.ca

Autres pays: www.makita.com

ESPECIFICACIONES

Modelo:		HR005G
Capacidades	Punta de carburo	40 mm (1-9/16")
	Punta de corona	105 mm (4-1/8")
Velocidad sin carga (RPM)		250 r/min - 500 r/min
Golpes por minuto		1 450 gpm - 2 900 gpm
Longitud total	con el modelo BL4025	484 mm (19")
	con el modelo BL4040	500 mm (19-3/4")
Tensión nominal		c.c. 36 V a 40 V máx.
Peso neto		7,4 kg - 8,2 kg (16,3 lbs - 18,1 lbs)

- Debido a nuestro continuo programa de investigación y desarrollo, las especificaciones aquí incluidas están sujetas a cambio sin previo aviso.
- Las especificaciones y el cartucho de batería pueden variar de país a país.
- El peso puede variar en función de los accesorios, incluido el cartucho de batería. En la tabla se muestra la combinación de peso más ligero y más pesado conforme al procedimiento 01/2014 de EPTA.

Cartucho de batería y cargador aplicables

Cartucho de batería	BL4020 / BL4025 / BL4040* / BL4050F* * : Batería recomendada
Cargador	DC40RA / DC40RB / DC40RC

- Algunos de los cartuchos de batería y cargadores enumerados arriba podrían no estar disponibles dependiendo de su área de residencia.

⚠ADVERTENCIA: Use únicamente los cartuchos de batería y los cargadores indicados arriba. El uso de cualquier otro cartucho de batería y cargador podría ocasionar una lesión y/o un incendio.

Fuente de alimentación conectada por cable recomendada

Unidad portátil de alimentación eléctrica	PDC01 / PDC1200
---	-----------------

- La o las fuentes de alimentación conectadas por cable enumeradas arriba podrían no estar disponibles dependiendo de su área de residencia.
- Antes de utilizar la fuente de alimentación conectada por cable, lea las instrucciones e indicaciones de precaución sobre ellas.

ADVERTENCIAS DE SEGURIDAD

Advertencias generales de seguridad para herramientas eléctricas

⚠ADVERTENCIA: Lea todas las advertencias de seguridad, instrucciones, ilustraciones y especificaciones suministradas con esta herramienta eléctrica. El no seguir todas las instrucciones indicadas a continuación podría ocasionar una descarga eléctrica, incendio y/o lesiones graves.

Conserve todas las advertencias e instrucciones como referencia en el futuro.

En las advertencias, el término "herramienta eléctrica" se refiere a su herramienta eléctrica de funcionamiento con conexión a la red eléctrica (con cableado eléctrico) o herramienta eléctrica de funcionamiento a batería (inalámbrica).

Seguridad en el área de trabajo

1. **Mantenga el área de trabajo limpia y bien iluminada.** Las áreas oscuras o desordenadas son propensas a accidentes.
2. **No utilice las herramientas eléctricas en atmósferas explosivas, tal como en la presencia de líquidos, gases o polvo inflamables.** Las herramientas eléctricas crean chispas que pueden prender fuego al polvo o los humos.
3. **Mantenga a los niños y curiosos alejados mientras utiliza una herramienta eléctrica.** Las distracciones le pueden hacer perder el control.

Seguridad eléctrica

1. **Las clavijas de conexión de las herramientas eléctricas deberán encajar perfectamente en la toma de corriente. No modifique nunca la clavija de conexión de ninguna forma. No utilice ninguna clavija adaptadora con herramientas eléctricas que tengan conexión a tierra (puesta a tierra).** La utilización de clavijas no modificadas y que encajen perfectamente en la toma de corriente reducirá el riesgo de que se produzca una descarga eléctrica.
2. **Evite tocar con el cuerpo superficies conectadas a tierra o puestas a tierra tales como tubos, radiadores, cocinas y refrigeradores.** Si su cuerpo es puesto a tierra o conectado a tierra existirá un mayor riesgo de que sufra una descarga eléctrica.
3. **No exponga las herramientas eléctricas a la lluvia ni a condiciones húmedas.** La entrada de agua en una herramienta eléctrica aumentará el riesgo de que se produzca una descarga eléctrica.
4. **No maltrate el cable. Nunca utilice el cable para transportar, jalar o desconectar la herramienta eléctrica.** Mantenga el cable alejado del calor, aceite, objetos cortantes o piezas móviles. Los cables dañados o enredados aumentan el riesgo de sufrir una descarga eléctrica.
5. **Cuando utilice una herramienta eléctrica en exteriores, utilice un cable de extensión apropiado para uso en exteriores.** La utilización de un cable apropiado para uso en exteriores reducirá el riesgo de que se produzca una descarga eléctrica.
6. **Si no es posible evitar usar una herramienta eléctrica en condiciones húmedas, utilice un alimentador protegido con interruptor de circuito de falla a tierra (ICFT).** El uso de un ICFT reduce el riesgo de descarga eléctrica.
7. **Las herramientas eléctricas pueden producir campos electromagnéticos (CEM) que no son dañinos para el usuario.** Sin embargo, si los usuarios tienen marcapasos y otros dispositivos médicos similares, deberán consultar al fabricante de su dispositivo y/o a su médico antes de operar esta herramienta eléctrica.

Seguridad personal

1. **Manténgase alerta, preste atención a lo que está haciendo y utilice su sentido común cuando opere una herramienta eléctrica. No utilice una herramienta eléctrica cuando esté cansado o bajo la influencia de drogas, alcohol o medicamentos.** Un momento de distracción mientras opera las herramientas eléctricas puede terminar en una lesión grave.
2. **Use equipo de protección personal. Póngase siempre protección para los ojos.** El equipo protector tal como máscara contra el polvo, zapatos de seguridad antiderrapantes, casco rígido y protección para oídos utilizado en las condiciones apropiadas reducirá el riesgo de lesiones.
3. **Impida el encendido accidental. Asegúrese de que el interruptor esté en la posición de apagado antes de conectar a la alimentación eléctrica y/o de colocar el cartucho de batería, así como al levantar o cargar la herramienta.** Cargar las herramientas eléctricas con su dedo en el interruptor o enchufarlas con el interruptor encendido hace que los accidentes sean comunes.

4. **Retire cualquier llave de ajuste o llave de apriete antes de encender la herramienta.** Una llave de ajuste o llave de apriete que haya sido dejada puesta en una parte giratoria de la herramienta eléctrica puede ocasionar alguna lesión.
5. **No utilice la herramienta donde no alcance. Mantenga los pies sobre suelo firme y el equilibrio en todo momento.** Esto permite un mejor control de la herramienta eléctrica en situaciones inesperadas.
6. **Use una vestimenta apropiada. No use ropa suelta ni alhajas.** Mantenga el cabello, la ropa y los guantes alejados de las piezas móviles. Las prendas de vestir holgadas, las alhajas y el cabello largo suelto podrían engancharse en estas piezas móviles.
7. **Si dispone de dispositivos para la conexión de equipos de extracción y recolección de polvo, asegúrese de conectarlos y utilizarlos debidamente.** Hacer uso de la recolección de polvo puede reducir los riesgos relacionados con el polvo.
8. **No permita que la familiaridad adquirida debido al uso frecuente de las herramientas haga que se sienta confiado e ignore los principios de seguridad de las herramientas.** Un descuido podría ocasionar una lesión grave en una fracción de segundo.
9. **Utilice siempre gafas protectoras para proteger sus ojos de lesiones al usar herramientas eléctricas. Las gafas deben cumplir con la Norma ANSI Z87.1 en EUA.** Es responsabilidad del empleador imponer el uso de equipos protectores de seguridad apropiados a los operadores de la herramienta y demás personas cerca del área de trabajo.

Mantenimiento y uso de la herramienta eléctrica

1. **No fuerce la herramienta eléctrica. Utilice la herramienta eléctrica correcta para su aplicación.** La herramienta eléctrica adecuada hará un mejor trabajo y de forma más segura a la velocidad para la que ha sido fabricada.
2. **No utilice la herramienta eléctrica si el interruptor no la enciende y apaga.** Cualquier herramienta eléctrica que no pueda ser controlada con el interruptor es peligrosa y debe ser reemplazada.
3. **Desconecte la clavija de la fuente de alimentación y/o retire la batería de la herramienta eléctrica, en caso de ser removible, antes de realizar ajustes, cambiar accesorios o almacenar las herramientas eléctricas.** Tales medidas de seguridad preventivas reducirán el riesgo de poner en marcha la herramienta eléctrica de forma accidental.
4. **Guarde la herramienta eléctrica que no use fuera del alcance de los niños y no permita que las personas que no están familiarizadas con ella o con las instrucciones la operen.** Las herramientas eléctricas son peligrosas en manos de personas que no saben operarlas.
5. **Dé mantenimiento a las herramientas eléctricas y los accesorios. Compruebe que no haya piezas móviles desalineadas o estancadas, piezas rotas y cualquier otra condición que pueda afectar al funcionamiento de la herramienta eléctrica.** Si la herramienta eléctrica está dañada, haga que la reparen antes de utilizarla. Muchos de los accidentes son ocasionados por no dar un mantenimiento adecuado a las herramientas eléctricas.

6. **Mantenga las herramientas de corte limpias y filosas.** Si recibe un mantenimiento adecuado y tiene los bordes afilados, es probable que la herramienta se atasque menos y sea más fácil controlarla.
7. **Utilice la herramienta eléctrica, los accesorios y las brocas de acuerdo con estas instrucciones, considerando las condiciones laborales y el trabajo a realizar.** Si utiliza la herramienta eléctrica para realizar operaciones distintas de las indicadas, podrá presentarse una situación peligrosa.
8. **Mantenga los mangos y superficies de asimiento secos, limpios y libres de aceite o grasa.** Los mangos y superficies de asimiento resbalosos no permiten una manipulación segura ni el control de la herramienta en situaciones inesperadas.
9. **Cuando vaya a utilizar esta herramienta, evite usar guantes de trabajo de tela ya que éstos podrían atorarse.** Si los guantes de trabajo de tela llegaran a atorarse en las piezas móviles, esto podría ocasionar lesiones personales.

Uso y cuidado de la herramienta a batería

1. **Recargue sólo con el cargador especificado por el fabricante.** Un cargador que es adecuado para un solo tipo de batería puede generar riesgo de incendio al ser utilizado con otra batería.
2. **Utilice las herramientas eléctricas solamente con las baterías designadas específicamente para ellas.** La utilización de cualquier otra batería puede crear un riesgo de lesiones o incendio.
3. **Cuando no se esté usando la batería, manténgala alejada de otros objetos metálicos, como sujetapapeles (clips), monedas, llaves, clavos, tornillos u otros objetos pequeños de metal los cuales pueden actuar creando una conexión entre las terminales de la batería.** Originar un cortocircuito en las terminales puede causar quemaduras o incendios.
4. **En condiciones abusivas, podrá escapar líquido de la batería; evite tocarlo. Si lo toca accidentalmente, enjuague con agua. Si hay contacto del líquido con los ojos, busque asistencia médica.** Puede que el líquido expulsado de la batería cause irritación o quemaduras.
5. **No utilice una herramienta ni una batería que estén dañadas o hayan sido modificadas.** Las baterías dañadas o modificadas podrían ocasionar una situación inesperada provocando un incendio, explosión o riesgo de lesiones.
6. **No exponga la herramienta ni la batería al fuego ni a una temperatura excesiva.** La exposición al fuego o a una temperatura superior a los 130 °C podría causar una explosión.
7. **Siga todas las instrucciones para la carga y evite cargar la herramienta o la batería fuera del rango de temperatura especificado en las instrucciones.** Una carga inadecuada o a una temperatura fuera del rango especificado podría dañar la batería e incrementar el riesgo de incendio.

Servicio

1. **Haga que una persona calificada repare la herramienta eléctrica utilizando sólo piezas de repuesto idénticas.** Esto asegura que se mantenga la seguridad de la herramienta eléctrica.
2. **Nunca dé servicio a baterías que estén dañadas.** El servicio a las baterías solamente deberá ser efectuado por el fabricante o un agente de servicio autorizado.

3. **Siga las instrucciones para la lubricación y cambio de accesorios.**
4. **No modifique ni intente reparar el aparato ni el paquete de baterías salvo como se indique en las instrucciones para el uso y cuidado.**

ADVERTENCIAS DE SEGURIDAD PARA EL MARTILLO ROTATIVO INALÁMBRICO

1. **Utilice protectores de oídos.** La exposición al ruido puede provocar pérdida auditiva.
2. **Utilice los mango(s) auxiliare(s) que se suministren con la herramienta.** La pérdida de control puede ocasionar lesiones.
3. **Sujete la herramienta eléctrica por las superficies de asimiento aisladas al realizar una operación en la que el accesorio de corte pueda entrar en contacto con cableado oculto.** Si el accesorio de corte entra en contacto con un cable con corriente, las piezas metálicas expuestas de la herramienta eléctrica se cargarán también de corriente y el operador podría recibir una descarga eléctrica.
4. **Utilice un casco protector (casco de seguridad), gafas de seguridad y/o careta de protección.** Los anteojos comunes o de sol NO son gafas de seguridad. También es muy recomendable que utilice una máscara contra polvo y guantes bien acolchados.
5. **Asegúrese de que la punta se encuentre asegurada en su lugar antes de la operación.**
6. **En condiciones normales de operación, la herramienta está diseñada para producir vibración.** Los tornillos pueden aflojarse fácilmente y causar una falla o accidente. Verifique cuidadosamente que los tornillos estén apretados antes de la operación.
7. **En clima frío o cuando la herramienta no se haya utilizado durante un tiempo prolongado, permita que la herramienta se caliente un rato haciéndola funcionar sin carga.** Esto facilitará la lubricación. Sin un calentamiento apropiado, la operación de percusión resultará difícil.
8. **Asegúrese siempre de que pisa sobre suelo firme.** Asegúrese de que no haya nadie debajo cuando utilice la herramienta en lugares altos.
9. **Sujete la herramienta firmemente con ambas manos.**
10. **Mantenga las manos alejadas de las piezas móviles.**
11. **No deje la herramienta funcionando.** Tenga en marcha la herramienta solamente cuando la esté sosteniendo con la mano.
12. **Durante la operación, no apunte con la herramienta a ninguna persona en el área.** La punta podría salir volando y causarle una lesión grave a alguien.
13. **No toque la punta, las partes cerca de la punta o la pieza de trabajo inmediatamente después de la operación; éstas podrían estar extremadamente calientes y provocarle quemaduras en la piel.**
14. **Algunos materiales contienen sustancias químicas que pueden ser tóxicas.** Evite inhalar polvo y que éste entre en contacto con la piel. Consulte la hoja de seguridad de materiales del proveedor.

15. Asegúrese siempre de que la herramienta esté apagada y de que el cartucho de batería y la punta hayan sido extraídos antes de pasarle la herramienta a otra persona.
16. Antes de iniciar la operación, asegúrese de que no hay objetos enterrados tales como tuberías eléctricas, de gas o de agua en el área de trabajo. De lo contrario, la broca/cinzel podrían entrar en contacto con estas y resultar en una descarga eléctrica, fuga eléctrica o fuga de gas.
17. No opere la herramienta al vacío innecesariamente.
5. Evite cortocircuitar el cartucho de batería:
 - (1) No toque las terminales con ningún material conductor.
 - (2) Evite guardar el cartucho de batería en un cajón junto con otros objetos metálicos, tales como clavos, monedas, etc.
 - (3) No exponga el cartucho de batería al agua o la lluvia.


Un cortocircuito en la batería puede causar un flujo grande de corriente, sobrecalentamiento, posibles quemaduras e incluso una descompostura.

GUARDE ESTAS INSTRUCCIONES.

⚠ ADVERTENCIA: NO DEJE que la comodidad o familiaridad con el producto (a base de utilizarlo repetidamente) evite que siga estrictamente las normas de seguridad para dicho producto. El USO INCORRECTO o el no seguir las normas de seguridad indicadas en este manual de instrucciones puede ocasionar lesiones graves.

Símbolos

A continuación se muestran los símbolos utilizados para la herramienta.

V	volts o voltios
— — —	corriente directa o continua
n_0	velocidad sin carga
... /min r /min	revoluciones o alternaciones por minuto, frecuencia de rotación
	número de percusiones

Instrucciones importantes de seguridad para el cartucho de batería

1. Antes de utilizar el cartucho de batería, lea todas las instrucciones e indicaciones de precaución en el (1) el cargador de batería, (2) la batería, y (3) el producto con el que se utiliza la batería.
2. No desarme ni modifique el cartucho de batería. Podría ocurrir un incendio, calor excesivo o una explosión.
3. Si el tiempo de operación se ha acortado en exceso, deje de operar de inmediato. Podría correrse el riesgo de sobrecalentamiento, posibles quemaduras e incluso explosión.
4. En caso de que ingresen electrolitos en sus ojos, enjuáguelos bien con agua limpia y consulte de inmediato a un médico. Esto podría ocasionar pérdida de visión.
5. Si no se utiliza la herramienta por un período largo, debe extraerse la batería de la herramienta.
6. El cartucho de batería podría absorber calor durante y después de su uso, lo que ocasionaría quemaduras o quemaduras a baja temperatura. Tenga cuidado con la manipulación de los cartuchos de batería que estén calientes.
7. No toque el terminal de la herramienta inmediatamente después de su uso, ya que el mismo podría estar lo suficientemente caliente como para provocarle quemaduras.
8. No permita que las rebabas, el polvo o la tierra queden atrapados en los terminales, orificios y ranuras del cartucho de batería. Esto podría ocasionar un desempeño deficiente o descompostura de la herramienta o del cartucho de batería.
9. No use una batería dañada.
10. Las baterías de ión de litio están sujetas a los requisitos reglamentarios en materia de bienes peligrosos.

Para el transporte comercial, por ej., mediante terceros o agentes de transporte, se deben tomar en cuenta los requisitos especiales relativos al empaque y el etiquetado. Para efectuar los preparativos del artículo que se va a enviar, se requiere consultar a un experto en materiales peligrosos. Si es posible, consulte además otras regulaciones nacionales más detalladas. Pegue o cubra con cinta adhesiva los contactos abiertos y empaque la batería de manera que ésta no pueda moverse dentro del paquete.
11. Para deshacerse del cartucho de batería, sáquelo de la herramienta y deséchelo en un lugar seguro. Siga las regulaciones locales relacionadas al desecho de las baterías.
12. Utilice las baterías únicamente con los productos especificados por Makita. Instalar las baterías en productos que no cumplan con los requisitos podría ocasionar un incendio, un calentamiento excesivo, una explosión o una fuga de electrolito.
13. Si no se utiliza la herramienta por un período largo, debe extraerse la batería de la herramienta.
14. El cartucho de batería podría absorber calor durante y después de su uso, lo que ocasionaría quemaduras o quemaduras a baja temperatura. Tenga cuidado con la manipulación de los cartuchos de batería que estén calientes.
15. No toque el terminal de la herramienta inmediatamente después de su uso, ya que el mismo podría estar lo suficientemente caliente como para provocarle quemaduras.
16. No permita que las rebabas, el polvo o la tierra queden atrapados en los terminales, orificios y ranuras del cartucho de batería. Esto podría ocasionar un desempeño deficiente o descompostura de la herramienta o del cartucho de batería.

17. No utilice el cartucho de batería cerca de cables eléctricos de alto voltaje, a menos que la herramienta sea compatible con el uso cercano a estos cables eléctricos de alto voltaje. Esto podría ocasionar una avería o descomposición de la herramienta o del cartucho de batería.
18. Mantenga la batería alejada de los niños.

GUARDE ESTAS INSTRUCCIONES.

⚠PRECAUCIÓN: Utilice únicamente baterías originales de Makita. El uso de baterías no originales de Makita, o de baterías alteradas, puede ocasionar que las baterías exploten causando un incendio, lesiones personales y daños. Asimismo, esto invalidará la garantía de Makita para la herramienta y el cargador Makita.

Consejos para alargar al máximo la vida útil de la batería

1. Cargue el cartucho de batería antes de que se descargue completamente. Pare siempre la operación y cargue el cartucho de batería cuando note menos potencia en la herramienta.
2. No cargue nunca un cartucho de batería que esté completamente cargado. La sobrecarga acortará la vida de servicio de la batería.
3. Cargue el cartucho de batería a una temperatura ambiente de 10 °C - 40 °C (50 °F - 104 °F). Si un cartucho de batería está caliente, déjelo enfriar antes de cargarlo.
4. Cuando no utilice el cartucho de batería, sáquelo de la herramienta o del cargador.
5. Cargue el cartucho de batería si no va a utilizarlo durante un período prolongado (más de seis meses).

Instrucciones importantes de seguridad para la unidad inalámbrica

1. No desarme ni modifique la unidad inalámbrica.
2. Mantenga la unidad inalámbrica alejada de los niños pequeños. En caso de ingerirla accidentalmente, solicite atención médica de inmediato.
3. Utilice la unidad inalámbrica solamente con herramientas de Makita.
4. No exponga la unidad inalámbrica a la lluvia ni a condiciones de humedad.
5. No utilice la unidad inalámbrica en lugares donde la temperatura exceda los 50 °C (122 °F).
6. No utilice la unidad inalámbrica en lugares donde haya instrumentos médicos tales como marcapasos cerca.
7. No utilice la unidad inalámbrica en lugares donde haya dispositivos automáticos cerca. Si se utiliza, los dispositivos automáticos podrían causar alguna avería o error.
8. No opere la unidad inalámbrica en lugares con alta temperatura o donde pueda generarse electricidad estática o ruido eléctrico.

9. La unidad inalámbrica puede producir campos electromagnéticos (CEM), sin embargo éstos no son dañinos para el usuario.
10. La unidad inalámbrica es un instrumento de precisión. Tenga cuidado de no dejar caer ni golpear la unidad inalámbrica.
11. Evite tocar la terminal de la unidad inalámbrica con las manos descubiertas o con materiales metálicos.
12. Retire siempre la batería del producto al instalar en él la unidad inalámbrica.
13. Cuando abra la tapa de la ranura, evite el lugar donde el polvo y el agua puedan introducirse en la ranura. Mantenga siempre la entrada de la ranura limpia.
14. Inserte siempre la unidad inalámbrica en la dirección correcta.
15. No oprima el botón de activación inalámbrica en la unidad inalámbrica demasiado fuerte, ni lo haga con ningún objeto que tenga un borde filoso.
16. Cierre siempre la tapa de la ranura durante la operación.
17. No retire la unidad inalámbrica de la ranura mientras se esté suministrando energía a la herramienta. El hacerlo podría causar una avería de la unidad inalámbrica.
18. No retire la etiqueta en la unidad inalámbrica.
19. No coloque ninguna etiqueta en la unidad inalámbrica.
20. No deje la unidad inalámbrica en un lugar donde pueda generarse electricidad estática o ruido eléctrico.
21. No deje la unidad inalámbrica en un lugar sujeto a temperaturas altas, tal como un vehículo estacionado bajo el sol.
22. No deje la unidad inalámbrica en un lugar donde haya polvo o suciedad ni en un lugar donde pueda generarse gas corrosivo.
23. Los cambios repentinos de temperatura podrían humedecer la unidad inalámbrica. No utilice la unidad inalámbrica hasta que la condensación se haya secado por completo.
24. Cuando vaya a limpiar la unidad inalámbrica, hágalo cuidadosamente usando un paño suave seco. No utilice bencina, disolvente, grasa conductora o sustancias similares.
25. Cuando vaya a almacenar la unidad inalámbrica, guárdela en el estuche suministrado o en un contenedor libre de electricidad estática.
26. No inserte ningún otro dispositivo que no sea la unidad inalámbrica de Makita en la ranura de la herramienta.
27. No utilice la herramienta si la tapa de la ranura está dañada. La entrada de agua, polvo o suciedad en la ranura podría causar una avería.
28. No jale ni tuerza la tapa de la ranura más de lo necesario. Vuelva a colocar la tapa si ésta se sale de la herramienta.
29. Reemplace la tapa de la ranura si llega a perderse o dañarse.

GUARDE ESTAS INSTRUCCIONES.

DESCRIPCIÓN DEL FUNCIONAMIENTO

⚠️ PRECAUCIÓN: Asegúrese siempre de que la herramienta esté apagada y el cartucho de batería haya sido extraído antes de realizar cualquier ajuste o comprobación en la herramienta.

Instalación o extracción del cartucho de batería

⚠️ PRECAUCIÓN: Apague siempre la herramienta antes de colocar o quitar el cartucho de batería.

⚠️ PRECAUCIÓN: Sujete la herramienta y el cartucho de la batería con firmeza al colocar o quitar el cartucho de batería. Si no se sujeta con firmeza la herramienta y el cartucho de batería, puede ocasionar que se resbalen de sus manos causando daños a la herramienta y al cartucho de batería, así como lesiones a la persona.

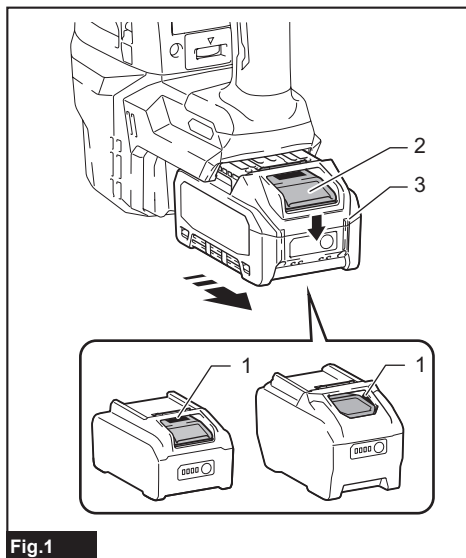


Fig.1

► 1. Indicador rojo 2. Botón 3. Cartucho de batería

Para quitar el cartucho de batería, deslícelo de la herramienta mientras desliza el botón sobre la parte delantera del cartucho.

Para instalar el cartucho de batería, alinee la lengüeta sobre el cartucho de batería con la ranura en la carcasa y deslícela hasta su lugar. Insértelo por completo hasta que se fije en su lugar con un pequeño clic. Si puede ver el indicador rojo como se muestra en la ilustración, este no ha quedado asegurado por completo.

⚠️ PRECAUCIÓN: Introduzca siempre completamente el cartucho de batería hasta que el indicador rojo no pueda verse. Si no, podría accidentalmente salirse de la herramienta y caer al suelo causando una lesión a usted o alguien a su alrededor.

⚠️ PRECAUCIÓN: No instale el cartucho de batería a la fuerza. Si el cartucho no se desliza al interior fácilmente, se debe a que no está siendo insertado correctamente.

Indicación de la capacidad restante de la batería

Oprima el botón de verificación en el cartucho de la batería para que indique la capacidad restante de la batería. Las luces indicadoras se iluminarán por algunos segundos.

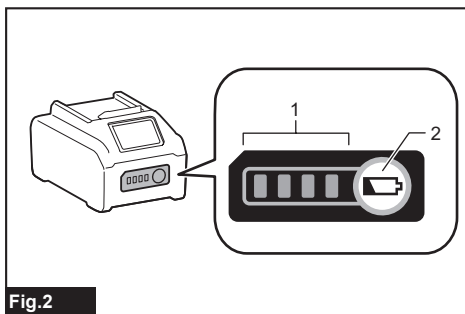


Fig.2

► 1. Luces indicadoras 2. Botón de verificación

Luces indicadoras			Capacidad restante
Iluminadas	Apagadas	Papadeando	
■ ■ ■ ■			75% a 100%
■ ■ ■ □			50% a 75%
■ ■ □ □			25% a 50%
■ □ □ □			0% a 25%
▬ □ □ □			Cargar la batería.
■ ■ □ □			La batería pudo haber funcionado mal.
□ □ ■ ■			

NOTA: Dependiendo de las condiciones de uso y la temperatura ambiente, la indicación podrá diferir ligeramente de la capacidad real.

NOTA: La primera luz indicadora (extrema izquierda) parpadeará cuando el sistema de protección de batería esté en funcionamiento.

Sistema de protección para la herramienta/batería

La herramienta está equipada con un sistema de protección de la herramienta/batería. Este sistema corta en forma automática el suministro de energía al motor para prolongar la vida útil de la herramienta y la batería. La herramienta se detendrá automáticamente durante la operación si la herramienta o la batería se someten a una de las siguientes condiciones:

Protección contra sobrecarga

Cuando la herramienta o la batería se estén utilizando de una manera que cause que consuman una cantidad de corriente anormalmente alta, la herramienta se detendrá automáticamente sin indicación alguna. En este caso, apague la herramienta y detenga la aplicación que causó que la herramienta se sobrecargara. Luego encienda la herramienta para reiniciarla.

Protección contra sobrecalentamiento

Cuando la herramienta o la batería se sobrecalienten, la herramienta se detendrá automáticamente y la lámpara parpadeará. En este caso, permita que la herramienta y la batería se enfríen antes de volver a encender la herramienta.

Protección en caso de sobredescarga

Cuando la capacidad de la batería no es suficiente, la herramienta se detiene automáticamente. En este caso, retire la batería de la herramienta y cárguela.

Accionamiento del interruptor

⚠ADVERTENCIA: Antes de insertar el cartucho de batería en la herramienta, compruebe siempre y cerciórese de que el gatillo interruptor se acciona debidamente y que vuelve a la posición "OFF" (apagado) cuando lo suelta.

⚠PRECAUCIÓN: Cuando no vaya a utilizar la herramienta, oprima el botón de bloqueo del gatillo del lado A para bloquear el gatillo interruptor en la posición de apagado.

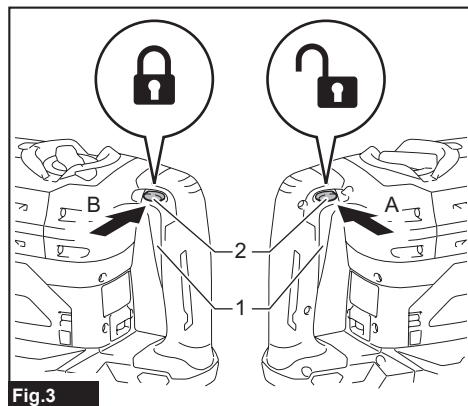


Fig.3

► 1. Gatillo interruptor 2. Botón de bloqueo del gatillo

Para evitar jalar accidentalmente el gatillo interruptor, se suministra el botón de bloqueo del gatillo. Para arrancar la herramienta, oprima el botón de bloqueo del gatillo del lado A y jale el gatillo interruptor. Para detenerla, suelte el gatillo interruptor. Cuando termine de usarla, oprima el botón de bloqueo del gatillo del lado B.

Cambio de velocidad

Las revoluciones y golpes por minuto se pueden ajustar girando el selector de ajuste. El selector está marcado del 1 (velocidad más baja) al 5 (velocidad más alta).

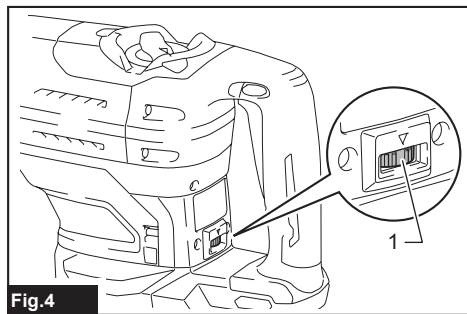


Fig.4

► 1. Selector de ajuste

Consulte la tabla a continuación para ver la relación entre el número en el selector de ajuste y las revoluciones y golpes por minuto.

Número	Revoluciones por minuto	Golpes por minuto
5	500	2900
4	470	2700
3	380	2150
2	290	1650
1	250	1450

⚠PRECAUCIÓN: No gire el selector de ajuste cuando la herramienta esté funcionando. De lo contrario, podría resultar en la pérdida de control de la herramienta y ocasionar una lesión.

AVISO: Si la herramienta es operada a baja velocidad de forma continua durante un tiempo prolongado, el motor se sobrecargará provocando que la herramienta se averíe.

AVISO: El selector de ajuste de velocidad solo puede girarse hasta 5 y de regreso a 1. No lo fuerce más allá de 5 o 1 o la función de ajuste de velocidad podría dejar de funcionar.

NOTA: Función de rotación suave sin carga

Cuando el selector de ajuste de velocidad está ajustado en "3" o más, la herramienta automáticamente reduce la velocidad a velocidad sin carga a fin de disminuir la vibración en esta modalidad.

Cuando la operación comienza con una punta contra concreto, los golpes por minuto se incrementan y alcanzan los números que se muestran en la tabla.

Cuando la temperatura es baja, la herramienta podría no tener esta función aun con el motor girando.

Iluminación de la luz delantera

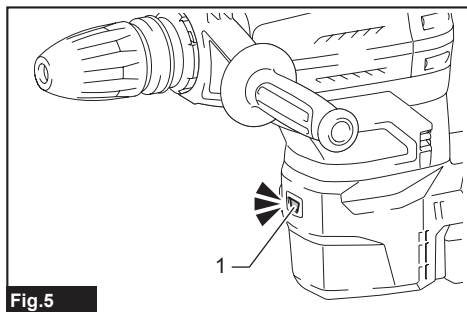


Fig.5

► 1. Luz

PRECAUCIÓN: No mire a la luz ni vea a la fuente de luz directamente.

Jale el gatillo interruptor para encender la luz. La luz continúa iluminándose mientras se está jalando el gatillo interruptor. La luz se apaga aproximadamente 10 segundos tras haber liberado el gatillo interruptor.

AVISO: Si la lámpara se apaga después de parpadear durante algunos segundos, la tecnología de detección de retroalimentación activa no está funcionando correctamente. Solicite la reparación en el centro de servicio Makita de su localidad.


NOTA: Utilice un paño seco para quitar la suciedad de la lente de la lámpara. Tenga cuidado de no rayar la lente de la lámpara ya que la iluminación podría disminuir.

Selección del modo de accionamiento

AVISO: No gire la perilla de cambio de modo de accionamiento cuando la herramienta esté en marcha. Esto podría causar daños a la herramienta.

AVISO: Para evitar un desgaste rápido del mecanismo de cambio de modo, asegúrese siempre de que la perilla de cambio de modo de accionamiento se encuentre realmente ubicada en una de las tres posiciones del modo de accionamiento.

Rotación con percusión

Para perforar en concreto, mampostería, etc., gire la perilla de cambio de modo de accionamiento al símbolo . Utilice una broca con punta de carburo.

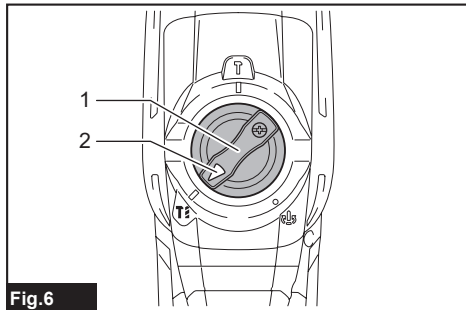
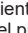


Fig.6

► 1. Perilla de cambio de modo de accionamiento
2. Indicador

Sólo percusión

Para operaciones de cincelado, desincrustación o demolición, gire la perilla de cambio de modo de accionamiento al símbolo . Utilice un cincel de punta, cincel plano, cincel de desincrustación, etc.

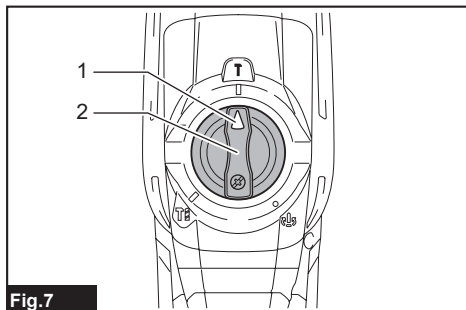


Fig.7

► 1. Indicador 2. Perilla de cambio de modo de accionamiento

Limitador de torsión

AVISO: En cuanto el limitador de torsión se accione, apague de inmediato la herramienta. Esto ayudará a evitar el desgaste prematuro de la herramienta.

AVISO: Las brocas tales como las de sierra perforadora, las cuales tienden a atorarse o engancharse fácilmente en el agujero, no son adecuadas para esta herramienta. Esto es debido a que pueden provocar que el limitador de torsión se accione con demasiada frecuencia.

El limitador de torsión se accionará una vez que se alcance un cierto nivel de torsión. El motor se desenganchará del eje de salida. Cuando esto suceda, la broca dejará de girar.

Funcionamiento electrónico

La herramienta está equipada con funciones electrónicas para facilitar la operación.

Control de velocidad constante

La función de control de velocidad permite una rotación constante independientemente de las condiciones de carga.

Arranque suave

La función de arranque suave reduce el impacto de encendido y hace que la máquina se ponga en marcha suavemente.

Tecnología de detección de retroalimentación activa

Si el cuerpo de la herramienta gira repentinamente a la aceleración especificada debido al bloqueo de la broca, etc., el motor se detendrá a la fuerza para reducir la carga de la muñeca.

NOTA: La función de la tecnología de detección de retroalimentación activa no funciona si la aceleración no alcanza la especificada.

NOTA: La función de tecnología de detección de retroalimentación activa también se activa justo cuando la punta simplemente gira a la aceleración especificada en cualquier operación.

En este caso, suelte el gatillo interruptor y luego jálelo para reiniciar la herramienta.

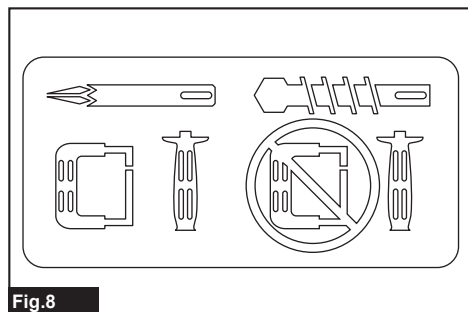
Freno eléctrico

La herramienta está equipada con un freno eléctrico. Si la herramienta falla constantemente en detenerse tras soltar el gatillo interruptor, lleve la herramienta a mantenimiento a un centro de servicio Makita.

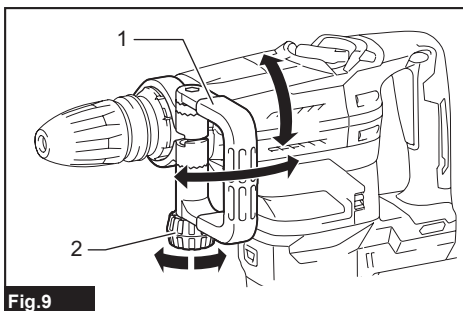
MONTAJE

PRECAUCIÓN: Asegúrese siempre de que la herramienta esté apagada y el cartucho de batería haya sido extraído antes de realizar cualquier trabajo en la misma.

Mango lateral



PRECAUCIÓN: Utilice el mango lateral únicamente para operaciones de cincelado, desincrustación o demolición. No lo utilice para perforar concreto, mampostería, etc. La herramienta no puede sujetarse adecuadamente con este mango lateral al momento de perforar.



► 1. Mango lateral 2. Tuerca de fijación

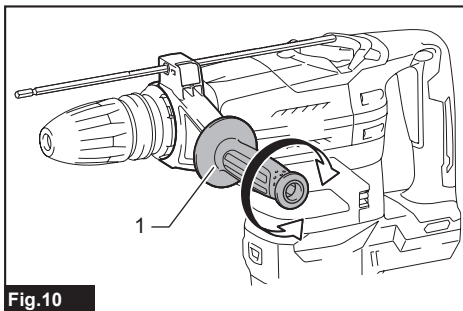
El mango lateral puede girarse en una dirección vertical y asegurarse en cualquier posición que se desee. También se puede ajustar en ocho etapas hacia adelante y hacia atrás en dirección horizontal. Afloje la tuerca de fijación para girar el mango lateral a la posición deseada y luego apriete la tuerca de fijación firmemente.

Empuñadura lateral (mango auxiliar)

PRECAUCIÓN: Utilice siempre la empuñadura lateral para garantizar una operación segura.

PRECAUCIÓN: Después de instalar o ajustar la empuñadura lateral, asegúrese de que quede firmemente asegurada.

La empuñadura lateral puede girar, lo que permite un fácil manejo de la herramienta en cualquier posición. Afloje la empuñadura lateral girándola en sentido inverso al de las manecillas del reloj, gírela a la posición deseada y luego apriétela girándola en el sentido de las manecillas del reloj.



► 1. Empuñadura lateral

Instalación o extracción de la broca

Grasa

Limpe el extremo de la espiga de la punta y aplique grasa antes de instalar la punta. Aplique previamente una pequeña cantidad de grasa (alrededor de 0,5 g - 1 g) en el extremo de la espiga de la punta. La lubricación del portabrocas asegura un accionamiento suave y una vida útil más larga.

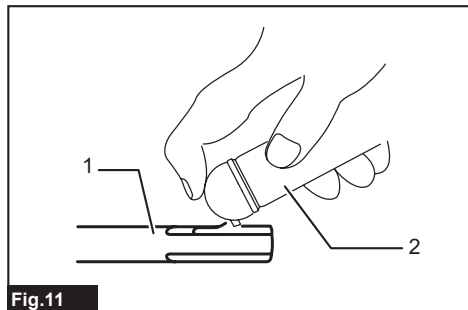


Fig.11

► 1. Extremo de la espiga 2. Grasa

Inserte la broca en la herramienta. Gire la broca y empújela hacia adentro hasta que quede enganchada. Después de instalar la broca, asegúrese siempre de que la broca quede asegurada en su lugar intentando jalarla hacia afuera.

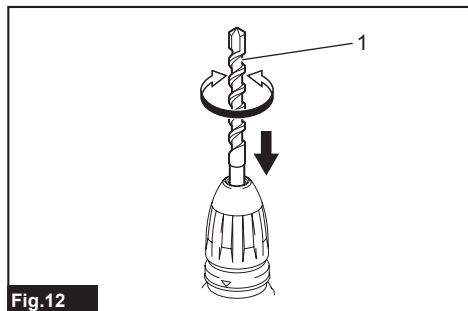


Fig.12

► 1. Broca

Para extraer la broca, jale hasta abajo la cubierta del portabrocas y jale la broca hacia afuera.

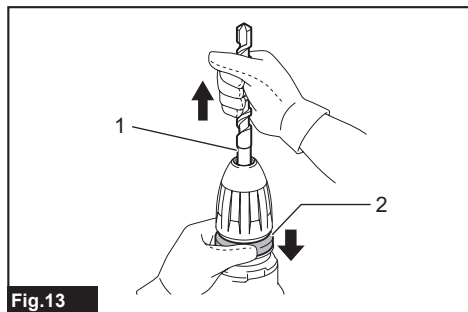


Fig.13

► 1. Broca 2. Cubierta del portabrocas

Ángulo del cincel (durante el cincelado, desincrustación o demolición)

El cincel puede fijarse en el ángulo deseado. Para cambiar el ángulo del cincel, gire la perilla de cambio de modo de accionamiento al símbolo . Gire el cincel al ángulo deseado.

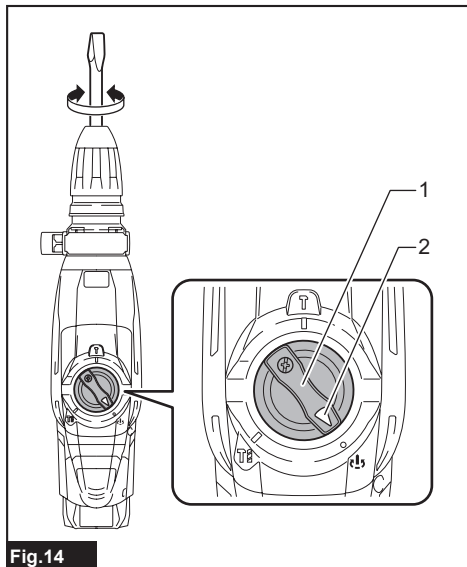


Fig.14

► 1. Perilla de cambio de modo de accionamiento
2. Indicador

Gire la perilla de cambio de modo de accionamiento al símbolo . Luego asegúrese de que el cincel quede asegurado en su lugar girándolo ligeramente.

Calibrador de profundidad

El calibrador de profundidad sirve para perforar orificios de profundidad uniforme.

Oprima y mantenga oprimido el botón de bloqueo y luego inserte el calibrador de profundidad en el orificio hexagonal.

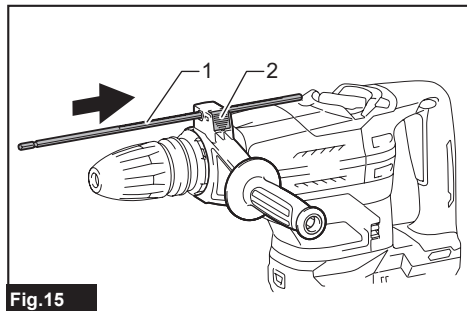


Fig.15

► 1. Calibrador de profundidad 2. Botón de bloqueo

Asegúrese de que el lado dentado del calibrador de profundidad quede de frente a la marca.

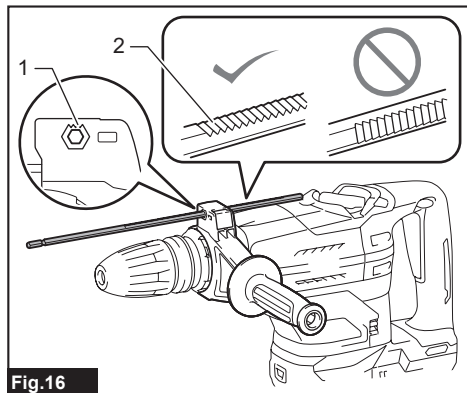


Fig.16

► 1. Marca 2. Lado dentado

Ajuste el calibrador de profundidad moviéndolo hacia atrás y hacia adelante mientras oprime el botón de bloqueo. Después de ajustarlo, suelte el botón de bloqueo para bloquear el calibrador de profundidad.

NOTA: Asegúrese de que el calibrador de profundidad no toque el cuerpo principal de la herramienta al momento de fijarlo.

Accesorio del extractor de polvo

Accesorio opcional

Instalación del accesorio del extractor de polvo

1. Afloje la empuñadura lateral en la herramienta.
2. Instale la cubierta contra polvo de manera que las partes salientes de la cubierta contra polvo encajen en las ranuras entre la herramienta y la empuñadura lateral.

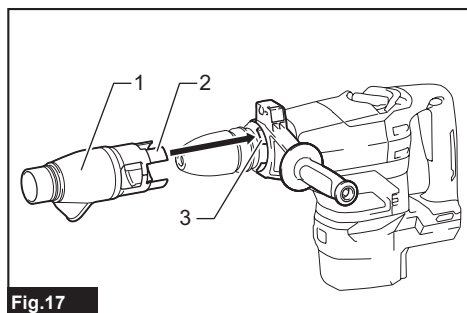


Fig.17

► 1. Cubierta contra polvo 2. Parte saliente 3. Ranura

3. Apriete la empuñadura lateral firmemente.

4. Instale el fuelle o extensión para la cubierta contra polvo adecuados para su trabajo. Cuando utilice un fuelle, instale la junta a su parte superior. Cuando apile dos fuelles, conéctelos con la junta.

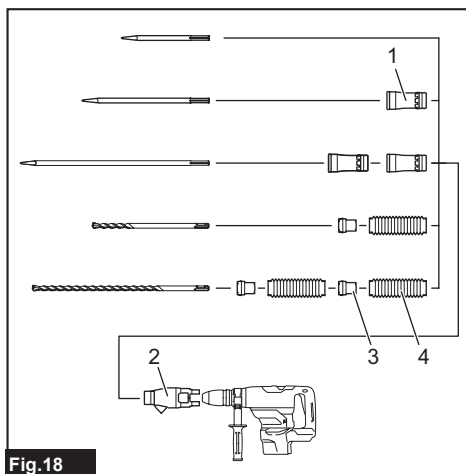


Fig.18

► 1. Extensión para la cubierta contra polvo 2. Cubierta contra polvo 3. Junta 4. Fuelle

Conexión de la herramienta a la aspiradora

1. Coloque la junta del sujetador en la herramienta y luego coloque el sujetador de la manguera en la junta del sujetador.

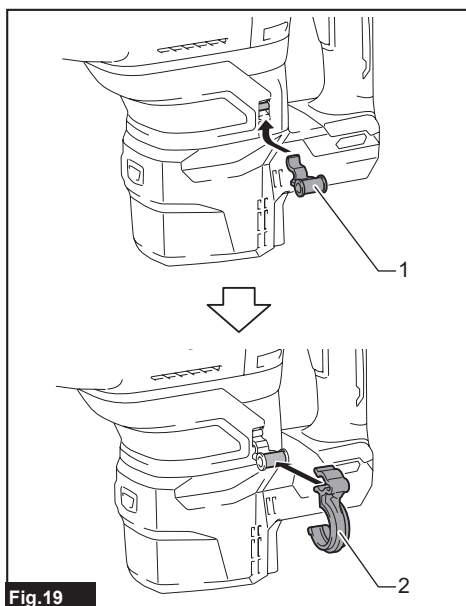


Fig.19

► 1. Junta del sujetador 2. Sujetador de la manguera

NOTA: La junta para manguera se puede colocar en cualquiera de los lados de la herramienta.

⚠ ADVERTENCIA: Utilice la pieza de instalación de la herramienta solamente para colocar la junta del sujetador.

Utilizar la pieza de instalación para cualquier otro propósito podría ocasionar un accidente inesperado.

2. Fije la manguera en el sujetador de la manguera.

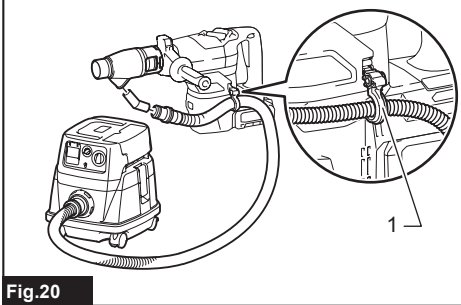


Fig.20

- ▶ 1. Sujetador de la manguera

NOTA: Utilice una junta 25 para conectar la manguera y la cubierta contra polvo si es necesario.

Uso del calibrador de profundidad para operaciones de perforación

Cuando apile dos fuelles, conecte la extensión del calibrador de profundidad al calibrador de profundidad.

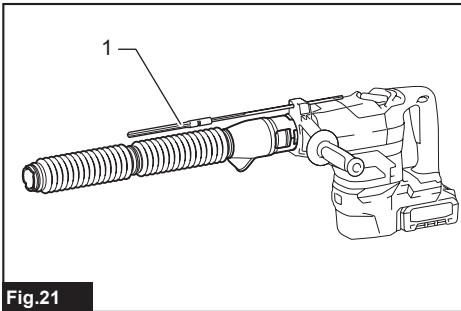


Fig.21

- ▶ 1. Extensión del calibrador de profundidad

Accesorio del extractor de polvo (únicamente para percusión)

Accesorio opcional

1. Instale el sujetador de la manguera (A/B).

Cuando el mango lateral esté instalado en la herramienta, afloje la tuerca de fijación y luego extraiga el perno de cabeza hexagonal. Instale el sujetador de la manguera (A) entre el perno de cabeza hexagonal y la tuerca de fijación apretando la tuerca de fijación firmemente.

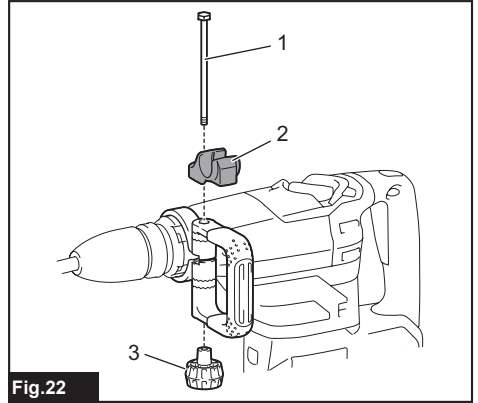


Fig.22

- ▶ 1. Perno de cabeza hexagonal 2. Sujetador de la manguera (A) 3. Tuerca de fijación

Cuando la empuñadura lateral esté instalada en la herramienta, afloje la empuñadura lateral, instale el sujetador de la manguera (B) en el eje y luego apriete la empuñadura lateral firmemente.

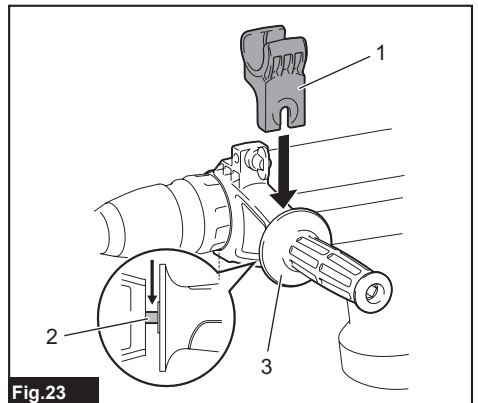


Fig.23

- ▶ 1. Sujetador de la manguera (B) 2. Eje 3. Empuñadura lateral

2. Coloque la junta del sujetador en la herramienta y luego coloque el sujetador de la manguera (C) en la junta del sujetador.

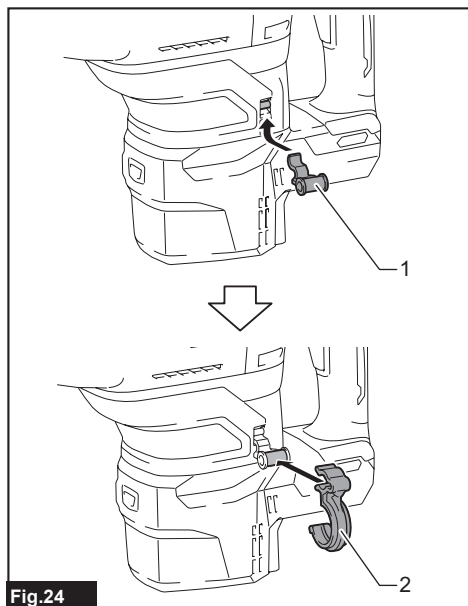


Fig.24

- 1. Junta del sujetador 2. Sujetador de la manguera (C)

NOTA: La junta para manguera se puede colocar en cualquiera de los lados de la herramienta.

⚠ADVERTENCIA: Utilice la pieza de instalación de la herramienta solamente para colocar la junta del sujetador.

Utilizar la pieza de instalación para cualquier otro propósito podría ocasionar un accidente inesperado.

3. Instale la cubierta contra polvo y la manguera en la herramienta y luego fije la manguera a los sujetadores de la manguera.

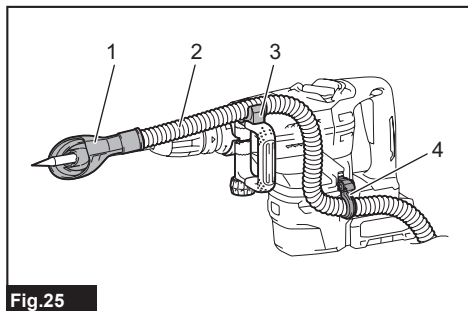


Fig.25

- 1. Cubierta contra el polvo 2. Manguera
3. Sujetador de la manguera (A/B) 4. Sujetador de la manguera (C)

4. Conecte la manguera a la manguera de la aspiradora con la junta de la manguera.

NOTA: Si la manguera no viene incluida, conecte la cubierta contra polvo a la manguera de la aspiradora o a la manguera \varnothing 28 Makita.

5. Ajuste la distancia entre la cubierta contra polvo y la punta del cincel o cincel de punta. La distancia recomendada es de 30 mm (1-3/16") a 100 mm (3-15/16").

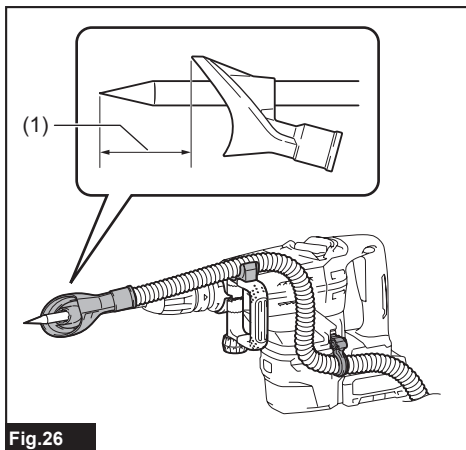


Fig.26

- (1) 30 mm (1-3/16") a 100 mm (3-15/16")

OPERACIÓN

⚠PRECAUCIÓN: Utilice siempre el mango lateral/empuñadura lateral (mango auxiliar) y sujete firmemente la herramienta tanto del mango lateral/empuñadura lateral y como del mango del interruptor durante las operaciones.

⚠PRECAUCIÓN: Asegúrese siempre de que la pieza de trabajo quede asegurada antes de la operación. No asegurar adecuadamente la pieza de trabajo podría ocasionar que esta se mueva, y resultar en una lesión.

⚠PRECAUCIÓN: No jale hacia afuera la herramienta con demasiada fuerza aun si la punta se atora. La pérdida de control podría causar lesiones.

⚠PRECAUCIÓN: No deje la herramienta clavada en la pieza de trabajo. De lo contrario, la herramienta podría ponerse en marcha accidentalmente y ocasionar una lesión.

NOTA: Si el cartucho de batería se encuentra a baja temperatura, la herramienta podría no alcanzar su máxima capacidad. En este caso, caliente el cartucho de batería usando la herramienta sin carga durante un rato a fin de lograr que la herramienta alcance su máxima capacidad.

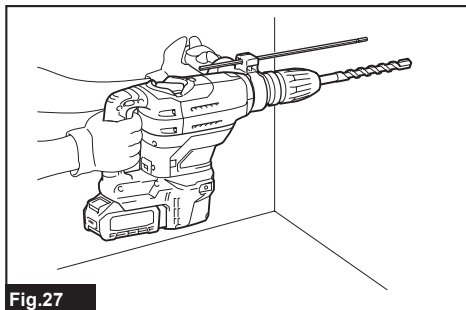



Fig.27

Operación de taladrado con percusión

⚠PRECAUCIÓN: En el momento de comenzar a penetrar, cuando se obstruye el orificio con virutas y partículas, o cuando se topa contra varillas de refuerzo de concreto, se ejerce una tremenda y repentina fuerza de torsión sobre la herramienta/broca. **Utilice siempre la empuñadura lateral (mango auxiliar) y sujete firmemente la herramienta tanto de la empuñadura lateral como del mango del interruptor durante las operaciones.** El no hacerlo puede provocar la pérdida de control de la herramienta y potencialmente ocasionar lesiones graves.


Ajuste la perilla de cambio de modo de accionamiento en el símbolo .

Coloque la broca donde desee hacer el agujero y luego jale el gatillo interruptor. No fuerce la herramienta. Los mejores resultados se obtienen con una ligera presión. Mantenga la herramienta en posición y evite que se deslice y se salga del agujero.

No aplique más presión cuando el agujero se obstruya con astillas o partículas. En vez de esto, haga funcionar la herramienta sin presión y luego retire parcialmente la broca del agujero. Repitiendo esto varias veces, el agujero se limpiará y se podrá reanudar el taladrado de manera normal.

NOTA: Es posible que se produzca excentricidad en la rotación de la broca al operar la herramienta sin carga. La herramienta se centrará automáticamente durante la operación. Esto no afectará la precisión en el taladrado.

Cincelado/desincrustación/demolición

Ajuste la perilla de cambio de modo de accionamiento en el símbolo .

Sujete la herramienta firmemente con ambas manos. Encienda la herramienta y aplique una ligera presión sobre ella de manera que no rebote de forma descontrolada.

Aplique mucha presión sobre la herramienta no incrementará la eficiencia.

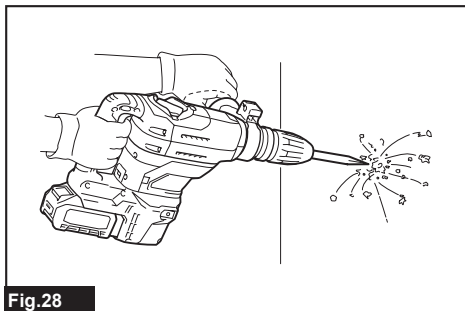


Fig.28

Soplador

Accesorio opcional

Después de perforar el agujero, utilice el soplador para limpiar el polvo del agujero.

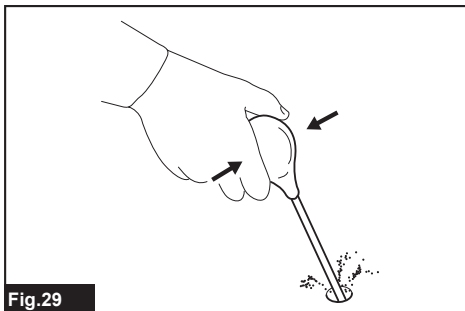


Fig.29

FUNCIÓN DE ACTIVACIÓN INALÁMBRICA

Accesorio opcional

Lo que puede hacer con la función de activación inalámbrica

La función de activación inalámbrica permite una operación limpia y cómoda. Si conecta a la herramienta una aspiradora compatible, podrá hacer que ésta funcione automáticamente al activar el interruptor de la herramienta.

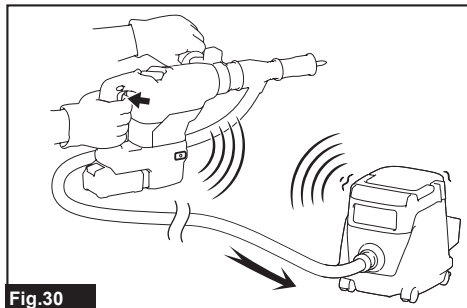


Fig.30

Para hacer uso de la función de activación inalámbrica, tenga preparado lo siguiente:

- Una unidad inalámbrica (accesorios opcionales)
- Una aspiradora compatible con la función de activación inalámbrica

A continuación se presenta la descripción general del ajuste de la función de activación inalámbrica. Consulte cada sección para ver los procedimientos a detalle.

1. Instalación de la unidad inalámbrica
2. Registro de la herramienta para la aspiradora
3. Inicio de la función de activación inalámbrica

Instalación de la unidad inalámbrica

Accesorio opcional

⚠PRECAUCIÓN: Coloque la herramienta sobre una superficie plana y estable cuando vaya a instalar la unidad inalámbrica.

AVISO: Limpie el polvo y la suciedad en la herramienta antes de instalar la unidad inalámbrica.

El polvo o la suciedad podrían causar una avería si llegan a introducirse en la ranura de la unidad inalámbrica.

AVISO: Para evitar una avería a causa de la electricidad estática, toque un material de descarga de electricidad estática, tal como una pieza metálica de la herramienta antes de levantar la unidad inalámbrica.

AVISO: Cuando vaya a instalar la unidad inalámbrica, asegúrese siempre de que ésta sea insertada en la dirección correcta y que la tapa esté completamente cerrada.

1. Abra la tapa en la herramienta tal como se muestra en la ilustración.

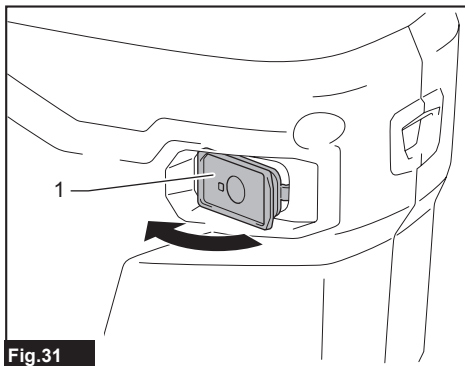


Fig.31

- ▶ 1. Tapa

2. Inserte la unidad inalámbrica en la ranura y luego cierre la tapa.

Cuando inserte la unidad inalámbrica, alinee las partes salientes con las partes cóncavas en la ranura.

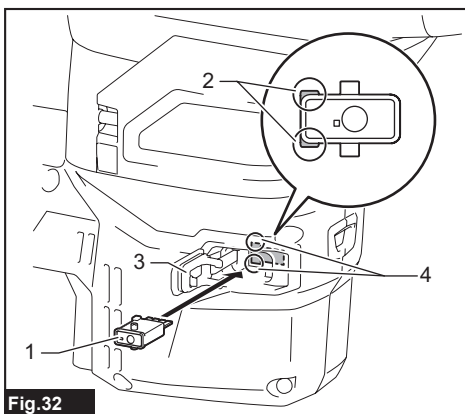


Fig.32

- ▶ 1. Unidad inalámbrica 2. Parte saliente 3. Tapa 4. Parte cóncava

Cuando extraiga la unidad inalámbrica, abra la tapa lentamente. Los ganchos en la parte posterior de la tapa levantarán la unidad inalámbrica mientras usted jala hacia arriba la tapa.

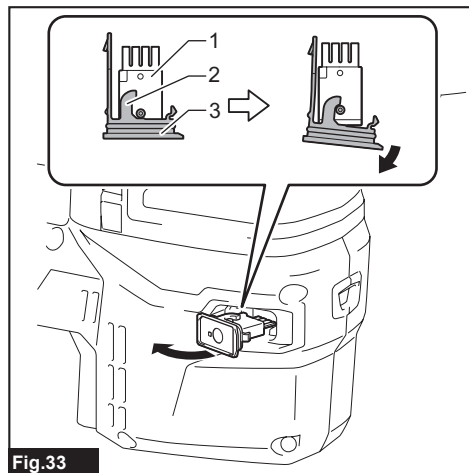


Fig.33

► 1. Unidad inalámbrica 2. Gancho 3. Tapa

Una vez extraída la unidad inalámbrica, guárdela en el estuche suministrado o en un contenedor libre de electricidad estática.

AVISO: Use siempre los ganchos en la parte posterior de la tapa cuando extraiga la unidad inalámbrica. Si los ganchos no sujetan la unidad inalámbrica, cierre la tapa por completo y vuelva a abrirla lentamente.

Registro de la herramienta para la aspiradora

NOTA: Para el registro de la herramienta, se requiere una aspiradora Makita compatible con la función de activación inalámbrica.

NOTA: Termine de instalar la unidad inalámbrica en la herramienta antes de comenzar con el registro de la herramienta.

NOTA: Durante el registro de la herramienta, no jale el gatillo interruptor ni active el interruptor de encendido en la aspiradora.

NOTA: Consulte también el manual de instrucciones de la aspiradora.

Si desea activar la aspiradora junto con el interruptor de la herramienta, termine antes con el registro de la herramienta.

1. Instale las baterías en la aspiradora y en la herramienta.

2. Ajuste el interruptor de modo en espera en la aspiradora en "AUTO".

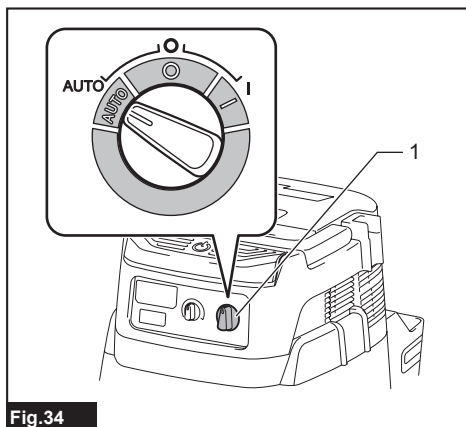


Fig.34

► 1. Interruptor de modo en espera

3. Oprima el botón de activación inalámbrica en la aspiradora durante 3 segundos hasta que la luz indicadora de activación inalámbrica parpadee en verde. Y luego oprima el botón de activación inalámbrica en la herramienta de la misma manera.

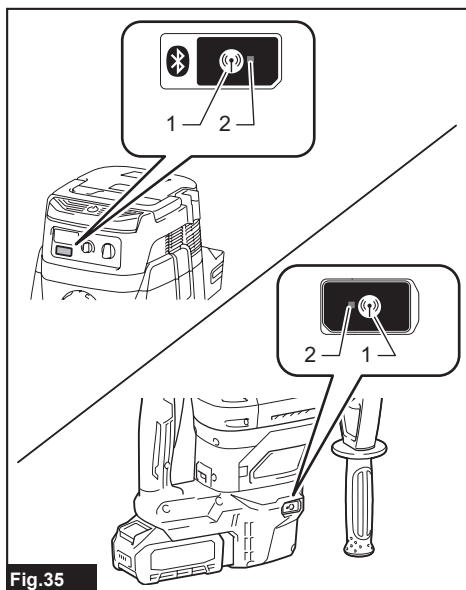


Fig.35

► 1. Botón de activación inalámbrica 2. Luz indicadora de activación inalámbrica

Si la aspiradora y la herramienta han sido conectadas exitosamente, las luces indicadoras de activación inalámbrica se encenderán en verde durante 2 segundos y comenzarán a parpadear en azul.

NOTA: Las luces indicadoras de activación inalámbrica terminarán parpadeando en verde después de un lapso de 20 segundos. Oprima el botón de activación inalámbrica en la herramienta mientras la luz indicadora de activación inalámbrica en la aspiradora esté parpadeando. Si la luz indicadora de activación inalámbrica no parpadea en verde, oprima el botón de activación inalámbrica durante un lapso breve y vuelva a mantenerlo oprimido.

NOTA: Cuando realice dos o más registros de la herramienta para una aspiradora, termine el registro de la herramienta de uno en uno.

Inicio de la función de activación inalámbrica

NOTA: Termine con el registro de la herramienta para la aspiradora antes de la activación inalámbrica.

NOTA: Consulte también el manual de instrucciones de la aspiradora.

Después de registrar una herramienta en la aspiradora, esta última se activará automáticamente junto con el interruptor de la herramienta.

1. Instale la unidad inalámbrica en la herramienta.
2. Conecte la manguera de la aspiradora a la herramienta.

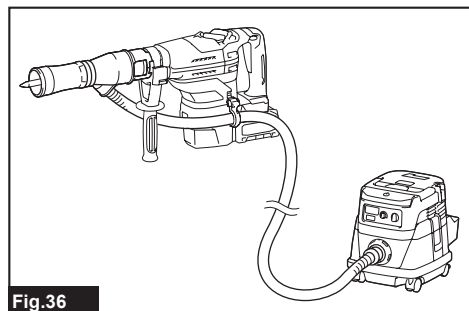


Fig.36

3. Ajuste el interruptor de modo en espera en la aspiradora en "AUTO".

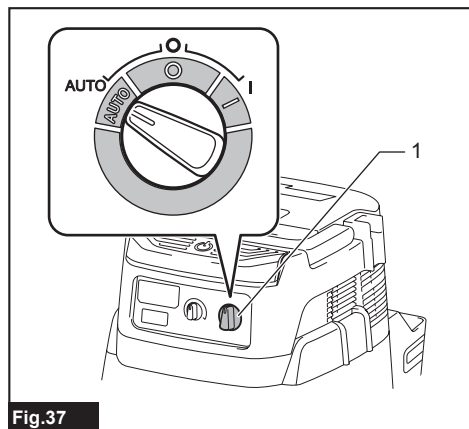


Fig.37

1. Interruptor de modo en espera

4. Oprima el botón de activación inalámbrica en la herramienta durante un lapso breve. La luz indicadora de activación inalámbrica parpadeará en azul.

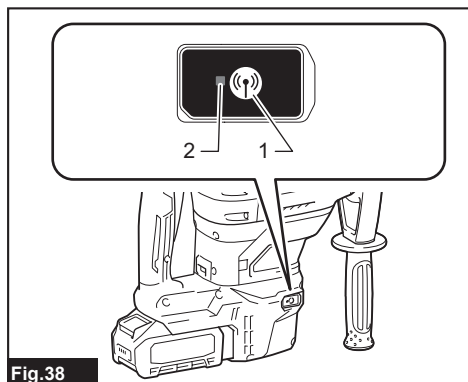


Fig.38

1. Botón de activación inalámbrica 2. Luz indicadora de activación inalámbrica

5. Jale el gatillo interruptor de la herramienta. Verifique que la aspiradora funcione mientras jala el gatillo interruptor.

Para detener la activación inalámbrica de la aspiradora, oprima el botón de activación inalámbrica en la herramienta.

NOTA: La luz indicadora de activación inalámbrica en la herramienta dejará de parpadear en azul cuando no haya operación durante 2 horas. En este caso, ajuste el interruptor de modo en espera en la aspiradora en "AUTO" y oprima el botón de activación inalámbrica en la herramienta nuevamente.

NOTA: La aspiradora funcionará/detendrá con un retraso. Existirá un desfase cuando la aspiradora detecte la activación del interruptor de la herramienta.

NOTA: La distancia de transmisión de la unidad inalámbrica podrá variar en función del lugar y las circunstancias de los alrededores.

NOTA: Cuando dos o más herramientas estén registradas en una aspiradora, esta última podrá comenzar a funcionar incluso si usted no jala el gatillo interruptor debido a que otro usuario está utilizando la función de activación inalámbrica.

Descripción del estado de la luz indicadora de activación inalámbrica

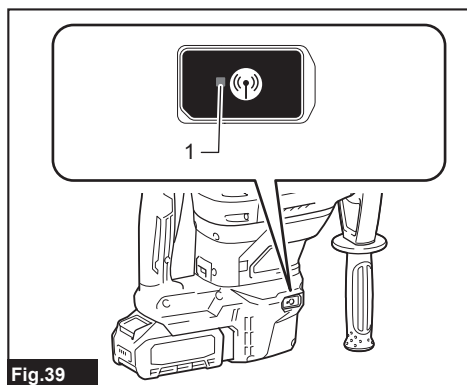


Fig.39

► **1. Luz indicadora de activación inalámbrica**

La luz indicadora de activación inalámbrica muestra el estado de la función de activación inalámbrica. Consulte la tabla a continuación para ver qué significa el estado de la luz indicadora.

Estado	Luz indicadora de activación inalámbrica				Descripción
	Color	■ Encendida	▣ Parpadeando	Duración	
En espera	Azul	▣	2 horas	La activación inalámbrica de la aspiradora está disponible. La luz se apagará automáticamente cuando no se realice ninguna operación durante 2 horas.	
		■	Cuando la herramienta está funcionando.	La activación inalámbrica de la aspiradora está disponible y la herramienta está funcionando.	
Registro de la herramienta	Verde	▣	20 segundos	Ya se puede realizar el registro de la herramienta. Esperando el registro por parte de la aspiradora.	
		■	2 segundos	El registro de la herramienta ha terminado. La luz indicadora de activación inalámbrica comenzará a parpadear en azul.	
Cancelación del registro de la herramienta	Rojo	▣	20 segundos	Ya se puede cancelar el registro de la herramienta. Esperando la cancelación por parte de la aspiradora.	
		■	2 segundos	La cancelación del registro de la herramienta ha terminado. La luz indicadora de activación inalámbrica comenzará a parpadear en azul.	
Otros	Rojo	■	3 segundos	La energía es suministrada a la unidad inalámbrica y la función de activación inalámbrica está arrancando.	
	Apagada	-	-	La activación inalámbrica de la aspiradora se ha detenido.	

Cancelación del registro de la herramienta para la aspiradora

Realice el siguiente procedimiento para cancelar el registro de la herramienta para la aspiradora.

1. Instale las baterías en la aspiradora y en la herramienta.
2. Ajuste el interruptor de modo en espera en la aspiradora en "AUTO".

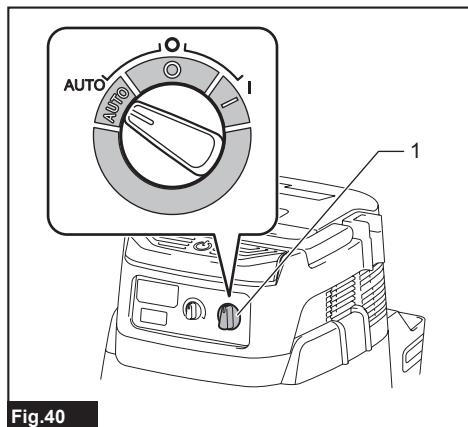


Fig.40

- 1. Interruptor de modo en espera

3. Oprima el botón de activación inalámbrica en la aspiradora durante 6 segundos. La luz indicadora de activación inalámbrica parpadeará en verde y luego se pondrá en rojo. Después de eso, oprima el botón de activación inalámbrica en la herramienta de la misma manera.

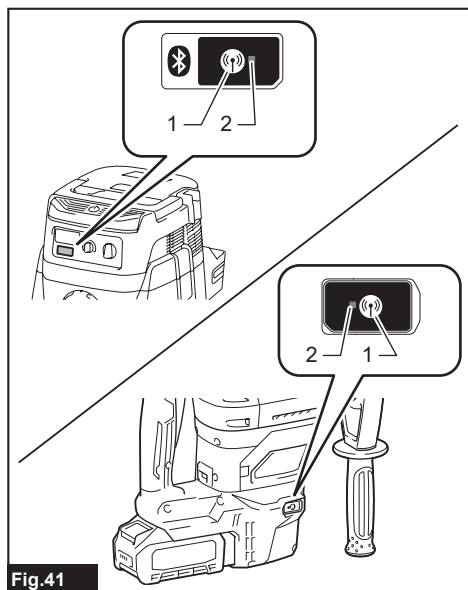


Fig.41

- 1. Botón de activación inalámbrica 2. Luz indicadora de activación inalámbrica

Si la cancelación se realiza exitosamente, las luces indicadoras de activación inalámbrica se encenderán en rojo durante 2 segundos y comenzarán a parpadear en azul.

NOTA: Las luces indicadoras de activación inalámbrica terminarán parpadearo en rojo después de un lapso de 20 segundos. Oprima el botón de activación inalámbrica en la herramienta mientras la luz indicadora de activación inalámbrica en la aspiradora esté parpadearo. Si la luz indicadora de activación inalámbrica no parpadea en rojo, oprima el botón de activación inalámbrica durante un lapso breve y vuelva a mantenerlo oprimido.

DetECCIÓN Y SOLUCIÓN DE PROBLEMAS PARA LA FUNCIÓN DE ACTIVACIÓN INALÁMBRICA

Antes de solicitar alguna reparación, primero realice una inspección por su cuenta. Si detecta algún problema que no esté explicado en el manual, no intente desensamblar la herramienta. En vez de esto, solicite la reparación a un centro de servicio autorizado de Makita, usando siempre piezas de repuesto Makita.

Estado de la anomalía	Causa probable (avería)	Remedio
La luz indicadora de activación inalámbrica no enciende/parpadea.	La unidad inalámbrica no está instalada en la herramienta. La unidad inalámbrica está instalada incorrectamente en la herramienta.	Instale la unidad inalámbrica correctamente.
	La terminal de la unidad inalámbrica y/o la ranura está sucia.	Retire con cuidado el polvo y la suciedad en la terminal de la unidad inalámbrica y limpie la ranura.
	El botón de activación inalámbrica en la herramienta no se ha oprimido.	Oprima el botón de activación inalámbrica en la herramienta durante un lapso breve.
	El interruptor de modo en espera en la aspiradora no está ajustado en "AUTO".	Ajuste el interruptor de modo en espera en la aspiradora en "AUTO".
	No hay suministro de energía.	Suministre energía a la herramienta y a la aspiradora.
No se puede terminar/cancelar el registro de la herramienta exitosamente.	La unidad inalámbrica no está instalada en la herramienta. La unidad inalámbrica está instalada incorrectamente en la herramienta.	Instale la unidad inalámbrica correctamente.
	La terminal de la unidad inalámbrica y/o la ranura está sucia.	Retire con cuidado el polvo y la suciedad en la terminal de la unidad inalámbrica y limpie la ranura.
	El interruptor de modo en espera en la aspiradora no está ajustado en "AUTO".	Ajuste el interruptor de modo en espera en la aspiradora en "AUTO".
	No hay suministro de energía.	Suministre energía a la herramienta y a la aspiradora.
	Operación incorrecta	Oprima el botón de activación inalámbrica durante un lapso breve y realice los procedimientos de registro/cancelación de la herramienta nuevamente.
	La herramienta y la aspiradora están lejos una de la otra (fuera del rango de transmisión).	Acerque más la herramienta a la aspiradora. La distancia máxima de transmisión es de aproximadamente 10 m, pero puede variar en función de las circunstancias.
	Antes de terminar el registro/cancelación de la herramienta; - el gatillo interruptor en la herramienta se ha jalado; o - el botón de encendido en la aspiradora está activado.	Oprima el botón de activación inalámbrica durante un lapso breve y realice los procedimientos de registro/cancelación de la herramienta nuevamente.
	Los procedimientos de registro para la herramienta o aspiradora no se han terminado.	Realice los procedimientos de registro tanto para la herramienta como para la aspiradora al mismo tiempo.
La perturbación radioeléctrica generada por otros aparatos que emiten ondas de radio de alta intensidad.	Mantenga la herramienta y la aspiradora lejos de aparatos tales como dispositivos Wi-Fi y hornos de microondas.	

Estado de la anomalía	Causa probable (avería)	Remedio
La aspiradora no funciona junto con el interruptor de la herramienta.	La unidad inalámbrica no está instalada en la herramienta. La unidad inalámbrica está instalada incorrectamente en la herramienta.	Instale la unidad inalámbrica correctamente.
	La terminal de la unidad inalámbrica y/o la ranura está sucia.	Retire con cuidado el polvo y la suciedad en la terminal de la unidad inalámbrica y limpie la ranura.
	El botón de activación inalámbrica en la herramienta no se ha oprimido.	Oprima el botón de activación inalámbrica durante un lapso breve y asegúrese de que la luz indicadora de activación inalámbrica esté parpadeando en azul.
	El interruptor de modo en espera en la aspiradora no está ajustado en "AUTO".	Ajuste el interruptor de modo en espera en la aspiradora en "AUTO".
	Más de 10 herramientas están registradas en la aspiradora.	Vuelva a realizar el registro de la herramienta. Si más de 10 herramientas están registradas en la aspiradora, la herramienta registrada al principio se cancelará automáticamente.
	La aspiradora borró todos los registros de la herramienta.	Vuelva a realizar el registro de la herramienta.
	No hay suministro de energía.	Suministre energía a la herramienta y a la aspiradora.
	La herramienta y la aspiradora están lejos una de la otra (fuera del rango de transmisión).	Acerque más la herramienta a la aspiradora. La distancia máxima de transmisión es de aproximadamente 10 m, pero puede variar en función de las circunstancias.
La perturbación radioeléctrica generada por otros aparatos que emiten ondas de radio de alta intensidad.	Mantenga la herramienta y la aspiradora lejos de aparatos tales como dispositivos Wi-Fi y hornos de microondas.	
La aspiradora funciona aun cuando el gatillo interruptor de la herramienta no ha sido jalado.	Otros usuarios están usando la activación inalámbrica de la aspiradora con sus herramientas.	Apague el botón de activación inalámbrica de las demás herramientas o cancele el registro de dichas herramientas.

MANTENIMIENTO

⚠PRECAUCIÓN: Asegúrese siempre de que la herramienta esté apagada y el cartucho de batería extraído antes de intentar realizar una inspección o mantenimiento.

AVISO: Nunca use gasolina, bencina, diluyente (tíner), alcohol o sustancias similares. Puede que esto ocasione grietas o descoloramiento.

Para mantener la SEGURIDAD y FIABILIDAD del producto, las reparaciones, y cualquier otra tarea de mantenimiento o ajuste deberán ser realizadas en centros de servicio autorizados o de fábrica Makita, empleando siempre repuestos Makita.

ACCESORIOS OPCIONALES

⚠PRECAUCIÓN: Estos accesorios o aditamentos están recomendados para utilizarse con su herramienta Makita especificada en este manual. El empleo de cualquier otro accesorio o aditamento puede conllevar el riesgo de lesiones personales. Utilice los accesorios o aditamentos solamente para su fin establecido.

Si necesita cualquier ayuda para más detalles en relación con estos accesorios, pregunte a su centro de servicio local Makita.

- Brocas con puntas de carburo SDS-MAX
- Cíncel de punta SDS-MAX
- Cíncel plano SDS-MAX
- Cíncel de desincrustación SDS-MAX
- Pala de arcilla SDS-MAX
- Grasa para puntas
- Mango lateral
- Empuñadura lateral
- Calibrador de profundidad
- Soplador
- Accesorio del extractor de polvo
- Gafas de seguridad
- Unidad inalámbrica
- Batería y cargador originales de Makita
- Maletín de transporte de plástico

NOTA: Algunos de los artículos en la lista pueden incluirse en el paquete de la herramienta como accesorios estándar. Éstos pueden variar de país a país.

GARANTÍA LIMITADA DE MAKITA

Ésta Garantía no aplica para México

Consulte la hoja de la garantía anexa para ver los términos más vigentes de la garantía aplicable a este producto. En caso de no disponer de esta hoja de garantía anexa, consulte los detalles sobre la garantía descritos en el sitio web de su país respectivo indicado a continuación.

Estados Unidos de América: www.makitatools.com

Canadá: www.makita.ca

Otros países: www.makita.com

< USA only >

WARNING

Some dust created by power sanding, sawing, grinding, drilling, and other construction activities contains chemicals known to the State of California to cause cancer, birth defects or other reproductive harm. Some examples of these chemicals are:

- lead from lead-based paints,
- crystalline silica from bricks and cement and other masonry products, and
- arsenic and chromium from chemically-treated lumber.

Your risk from these exposures varies, depending on how often you do this type of work. To reduce your exposure to these chemicals: work in a well ventilated area, and work with approved safety equipment, such as those dust masks that are specially designed to filter out microscopic particles.

< Sólo en los Estados Unidos >

ADVERTENCIA

Algunos polvos creados por el lijado, aserrado, esmerilado, taladrado y otras actividades de la construcción contienen sustancias químicas reconocidas por el Estado de California como causantes de cáncer, defectos de nacimiento y otros peligros de reproducción. Algunos ejemplos de estos productos químicos son:

- plomo de pinturas a base de plomo,
- sílice cristalino de ladrillos y cemento y otros productos de albañilería, y
- arsénico y cromo de maderas tratadas químicamente.

El riesgo al que se expone varía, dependiendo de la frecuencia con la que realice este tipo de trabajo. Para reducir la exposición a estos productos químicos: trabaje en un área bien ventilada y póngase el equipo de seguridad indicado, tal como las máscaras contra polvo que están especialmente diseñadas para filtrar partículas microscópicas.

Makita Corporation

3-11-8, Sumiyoshi-cho,
Anjo, Aichi 446-8502 Japan

www.makita.com

885831A931
HR005G-1
EN, FRCA, ESMX
20210423